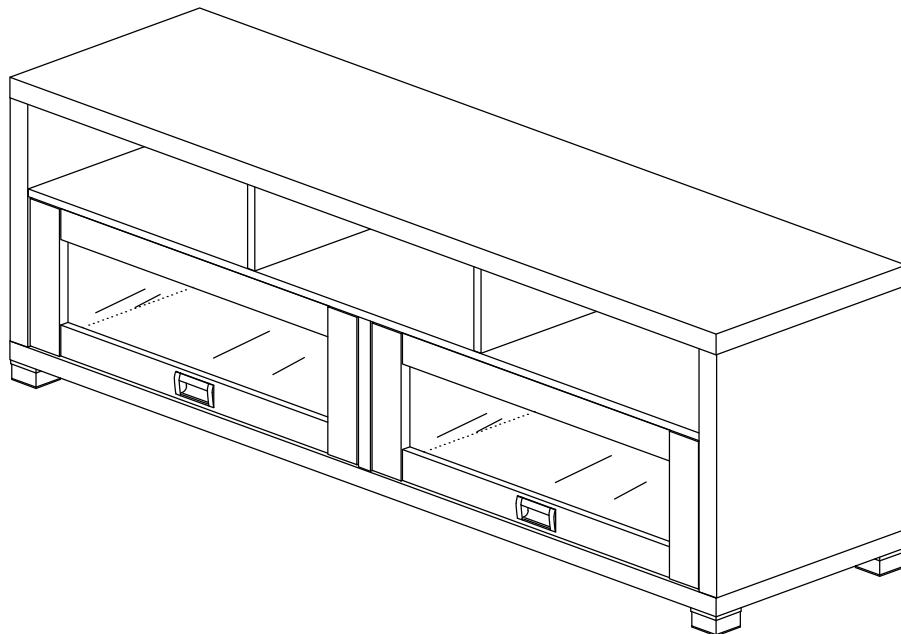



# MODEL RTA-8850

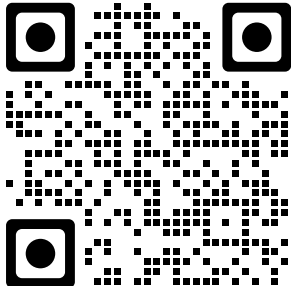
## ASSEMBLY INSTRUCTIONS

(REV.8-FP-9230-1025)



Thank you for purchasing our product!

 **View Assembly Video**



 **Ver el Manual en Español**



 **Visit our Website**



 **Contact Us**



## MAIN PARTS LIST

<b>A</b> Lower divider 	<b>B</b> Middle 	<b>C</b> Left side 
<b>D</b> Right side 	<b>E</b> Bottom 	<b>#F</b> Upper divider <span style="border: 1px solid black; padding: 2px;">x2</span> 
<b>G</b> Lower back 	<b>H</b> Top 	
<b>I</b> Glass door <span style="border: 1px solid black; padding: 2px;">x2</span> 	<b>J</b> Upper back 	

For support with assembly questions & replacement parts please email us at: [support@rtaproducts.com](mailto:support@rtaproducts.com)

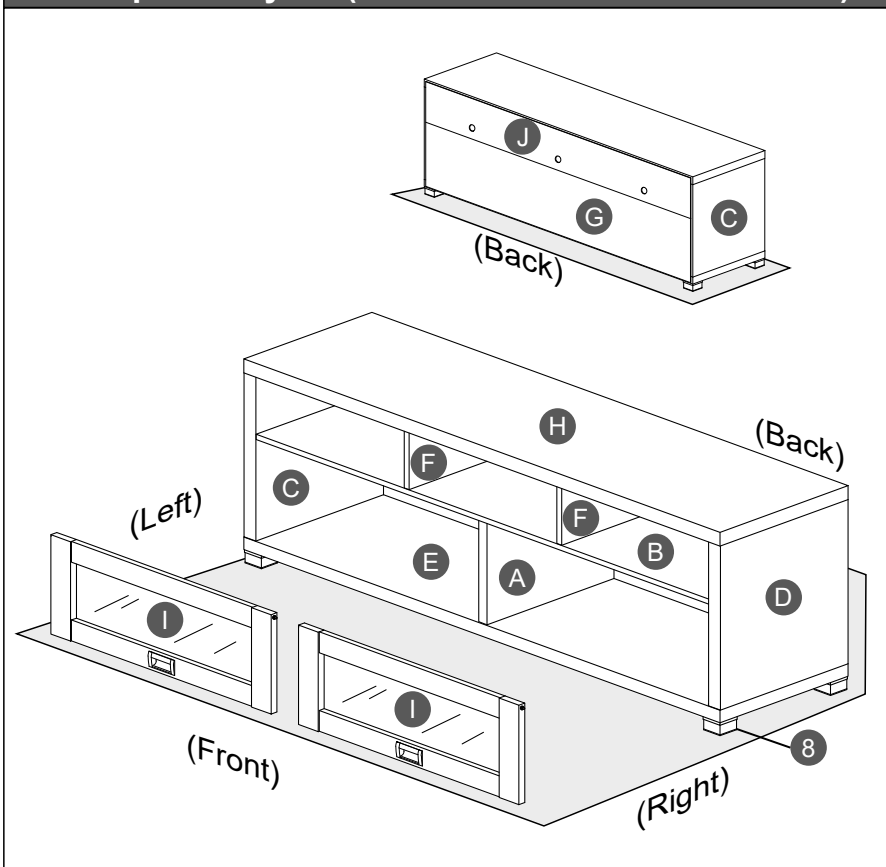


Free shipping within **the 48 Contiguous United States.**



For international customers & **AK-HI-PR** orders, **the customer is responsible for shipping costs plus any International local taxes or duties.**

Main parts Layout (For Reference and orientation)

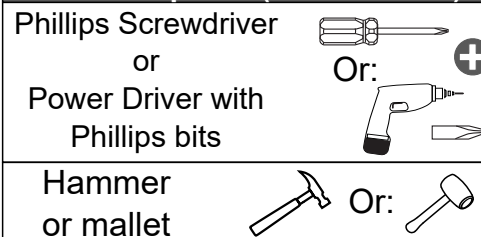


Hardware

No.	Item	Qty.
1	Ø8x25	24
2	M6x32 + Cam Lock	8 Sets
3	M3.5x16	20
4	M4x65	6
5	20mm	50

No.	Item	Qty.
6	M6x22	4
7	Door Stopper	4
8	50x50x40mm Plastic foot	5
9	Magnet + screw	4 Sets

Tools required (Not included)



**Bolt**

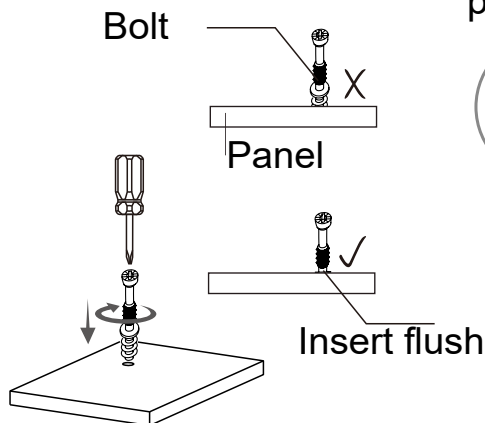


**Cam lock**

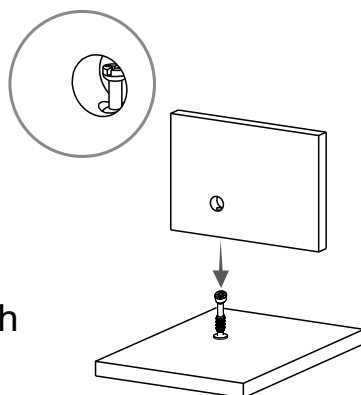
In some of the assembly steps you will use bolts and cam locks (also known as mini-fix). If you are not familiar with this kind of hardware, the below is a tutorial that explains how to use them.

The instructions below are **ONLY A TUTORIAL** for bolts and cam locks. The actual assembly starts on the next page.

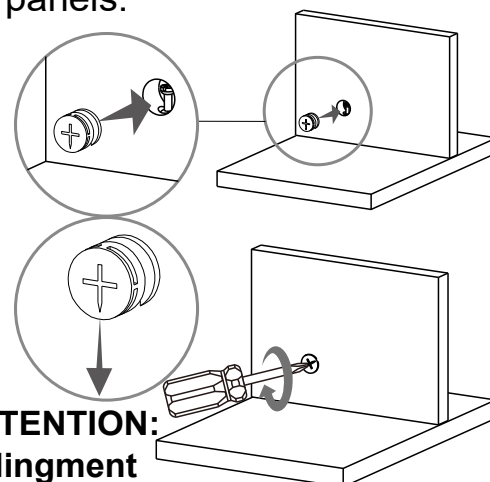
1. Install the bolt into the first panel.



2. Join the second panel by inserting it into the bolt of the first panel.



3. Insert the cam lock and turn it to lock both panels.



**ATTENTION:**  
Alignment

- We recommend using blankets or tablecloths to protect the product's finish during assembly.
- Some of the steps might require 2 people.
- Do not overtight any screws.

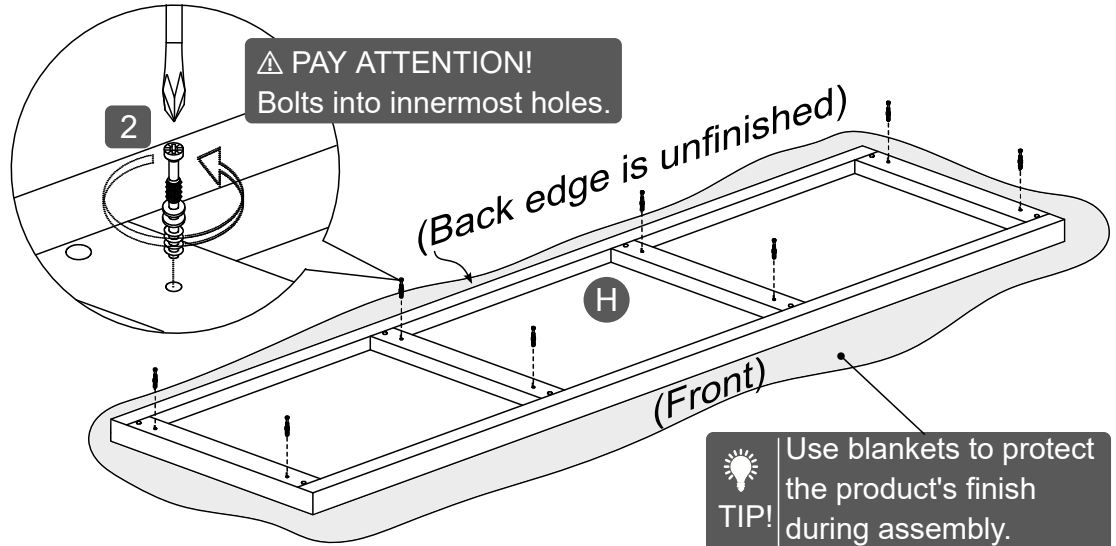
ASSEMBLY STEPS

STEP 1

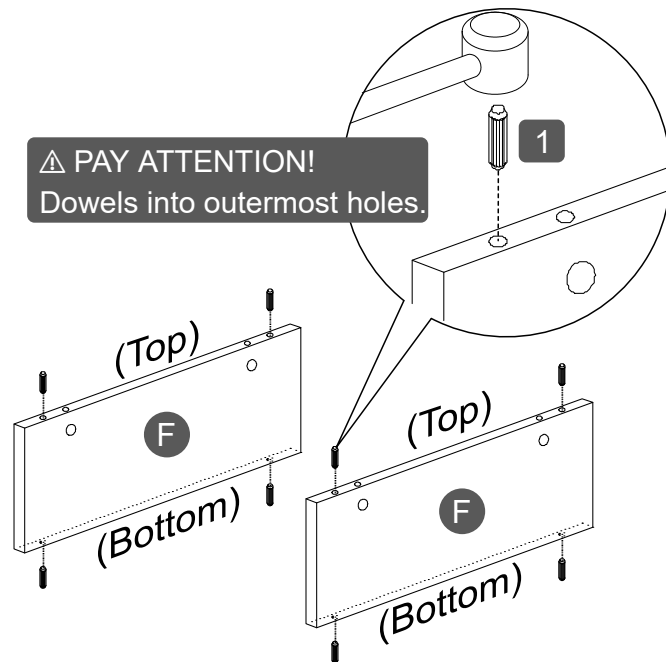


1		8
2		8
2		4

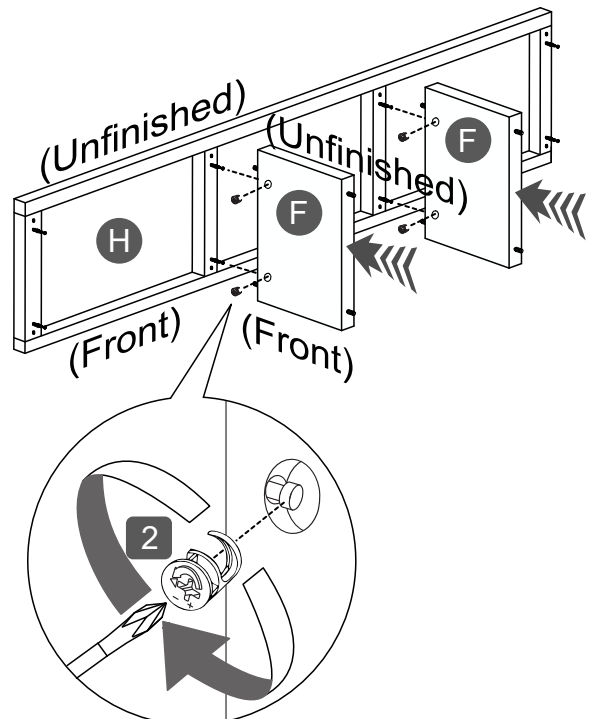
1st: Install #2 into the indicated holes on H.



2nd: Install #1 into the indicated holes on F.



3rd: Use #2 to assemble F to H.



Refer to the Tutorial Page

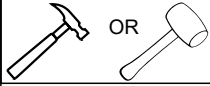
Alignment and turn

STEP 2

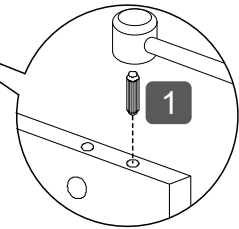
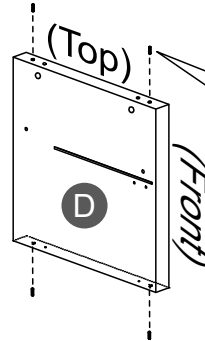
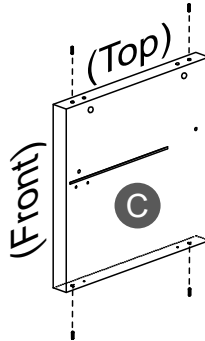
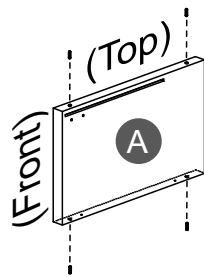


1 Ø8x25 16

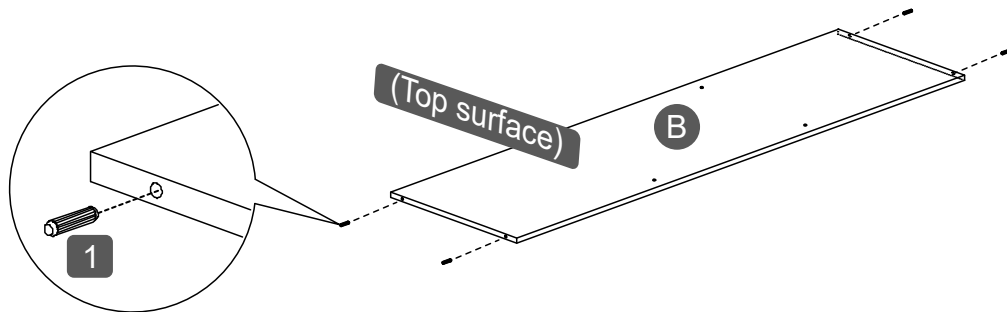
7 Door Stopper 4



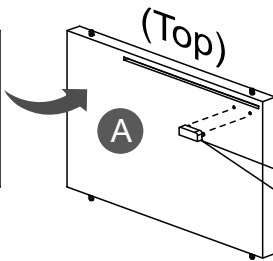
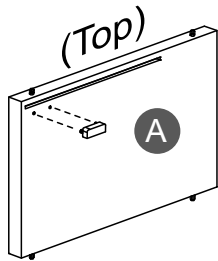
1st: Install #1 into A, B, C and D.



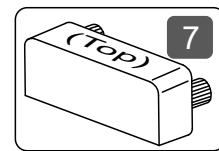
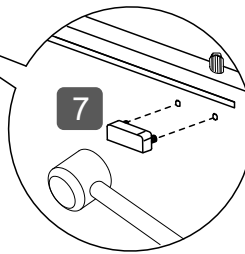
⚠ PAY ATTENTION!  
Outermost holes.



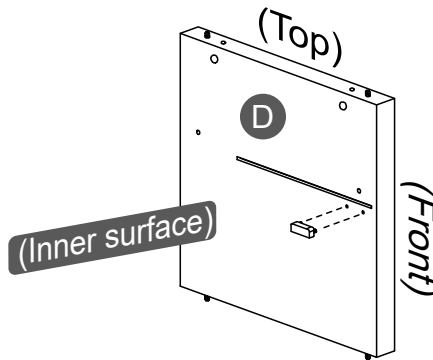
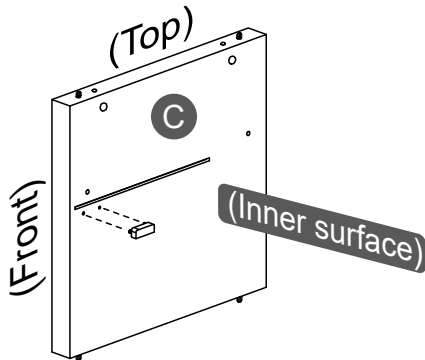
2nd: Install #7 to A, C and D.



⚠ PAY ATTENTION!  
Attach #7 on both  
sides of A.



Pay attention to  
the orientation.

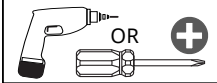


**STEP 3**

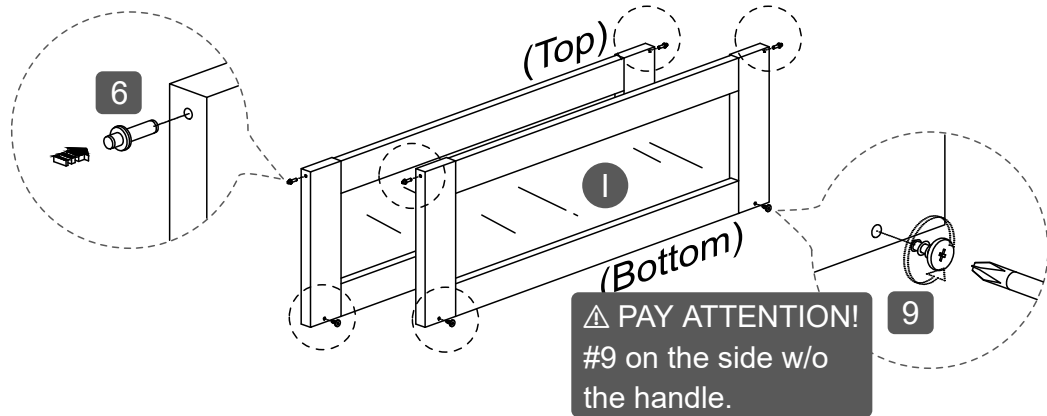


6 M6x22 4

9 Screw only 4

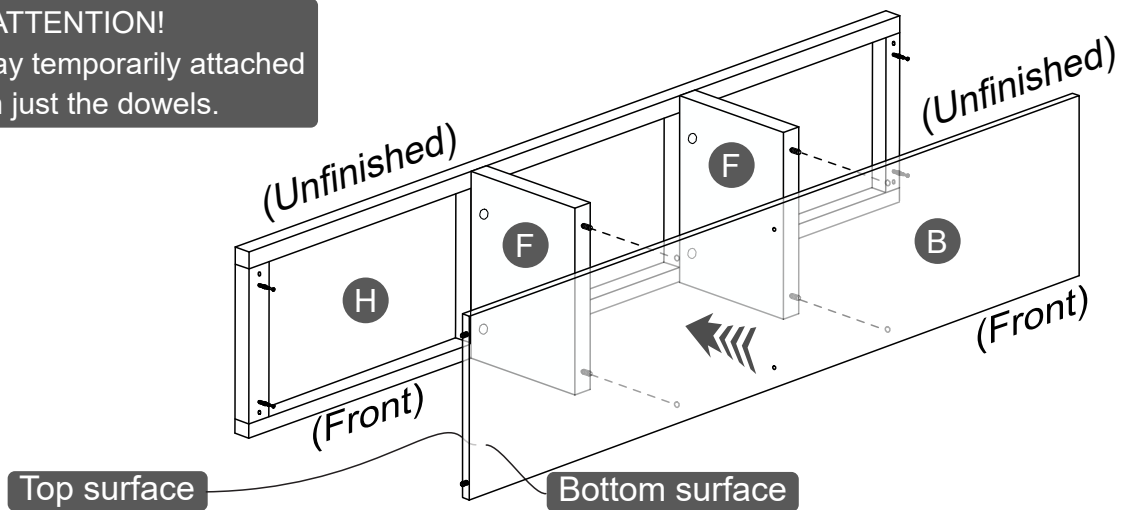


1st: Attach to I the pins #6 at the top, and the magnet screws #9 at the bottom.

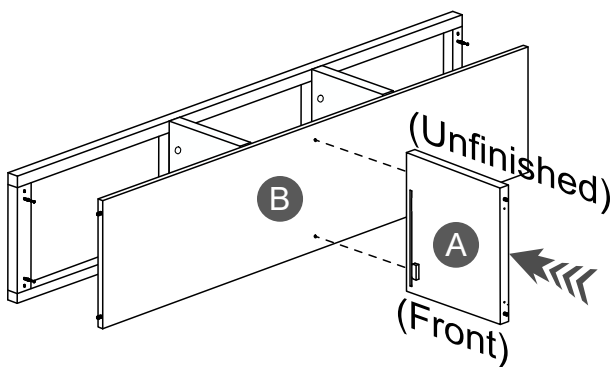


2nd: Join B to F.

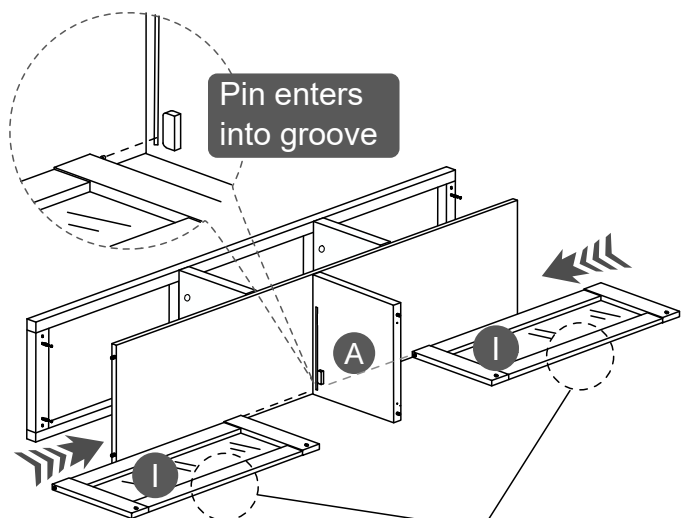
**△ PAY ATTENTION!**  
B will stay temporarily attached to F with just the dowels.



3rd: Join A to B in the indicated position and orientation.



4th: Join I to A on both sides.



**△ PAY ATTENTION!**  
Handles on I facing down!

**STEP 4**

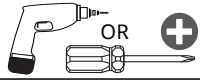


2



Cam lock

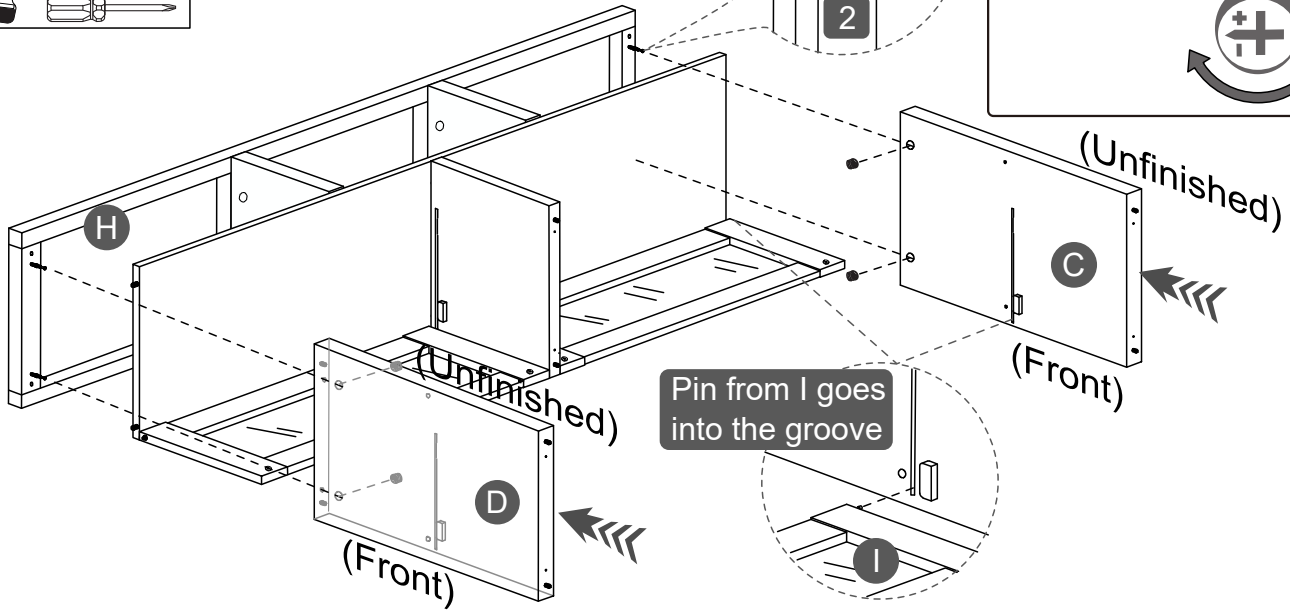
4



Use #2 to assemble C and D to H.

Refer to the Tutorial Page

Alignment and turn



**STEP 5**

3



20

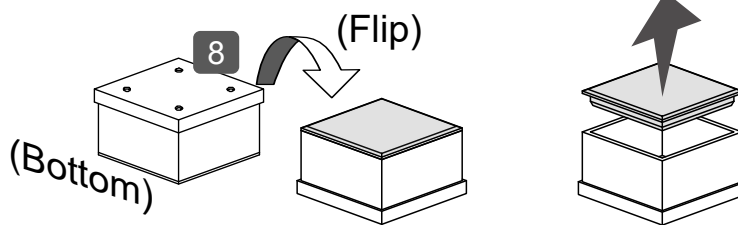
8



5

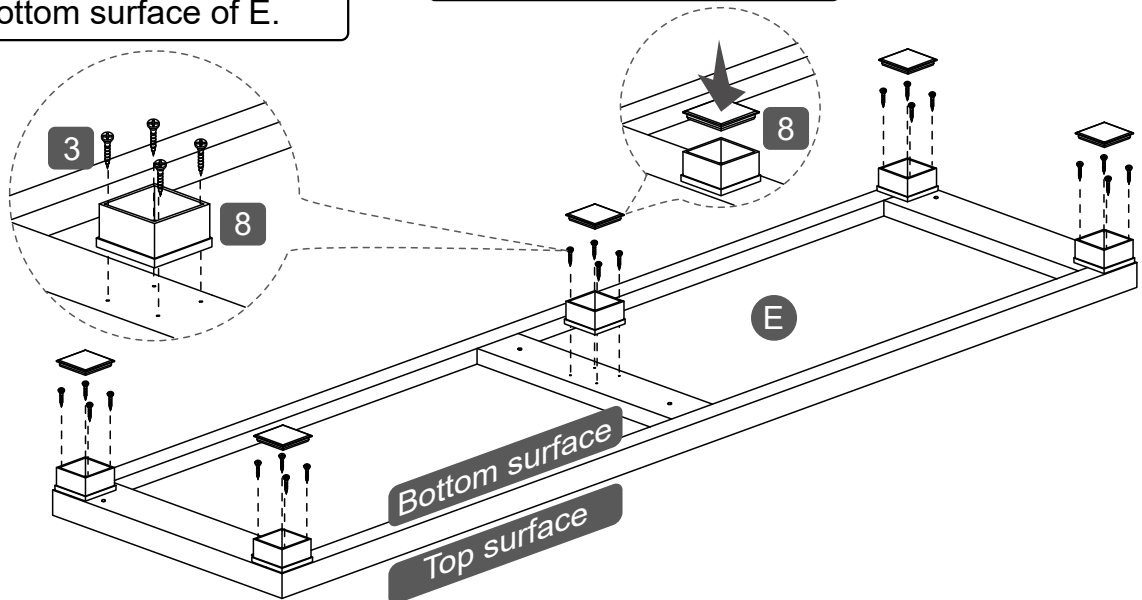


1st: Remove the bottom cap from the feet #8.



2nd: Use #3 to attach #8 to the bottom surface of E.

3rd: Put back cover on #8.



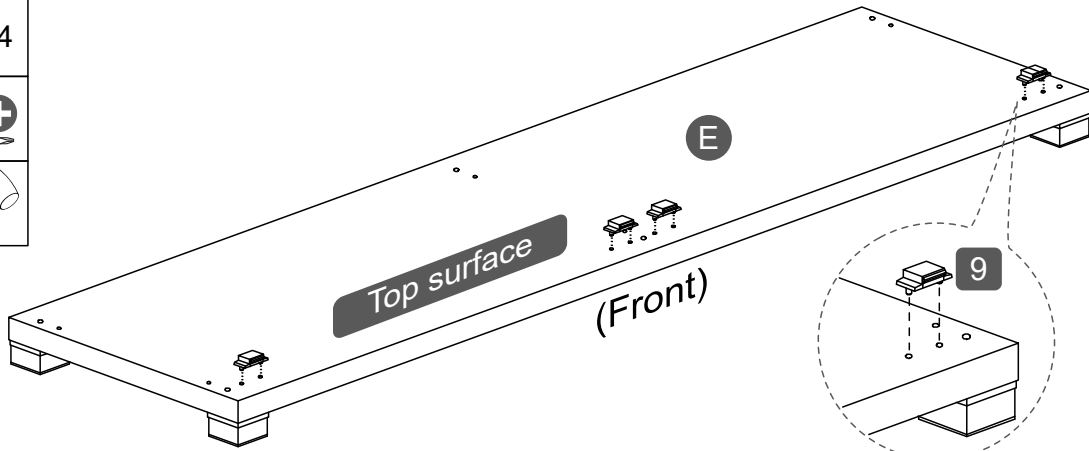
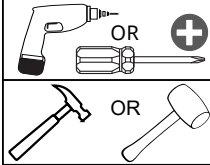
STEP 6



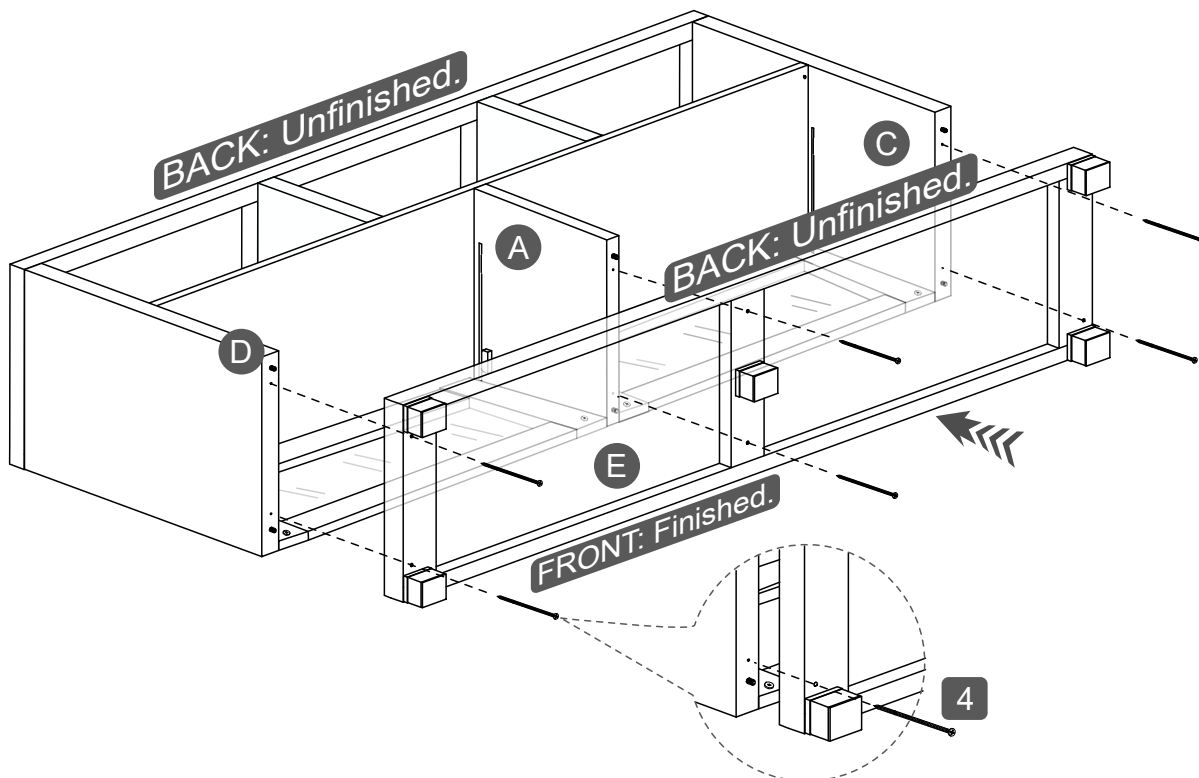
1st: Attach #9 to E along the front edge.

4 M4x65 6

9 Magnet 4




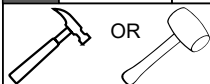
2nd: Use #4 to assemble E to A, C and D.



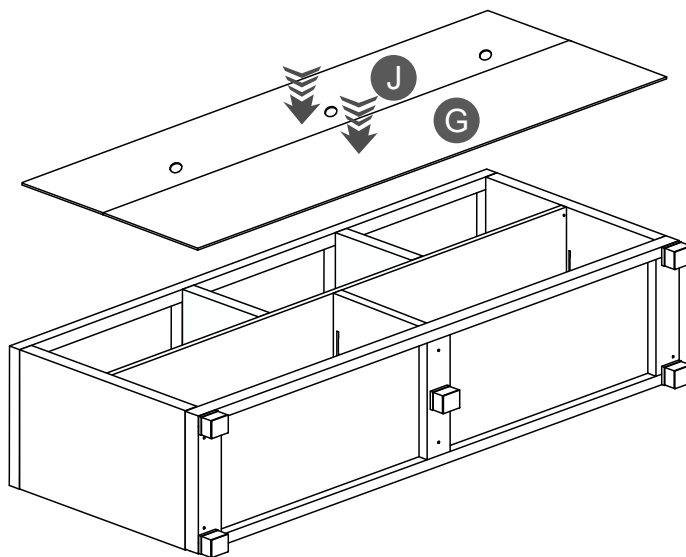
STEP 7



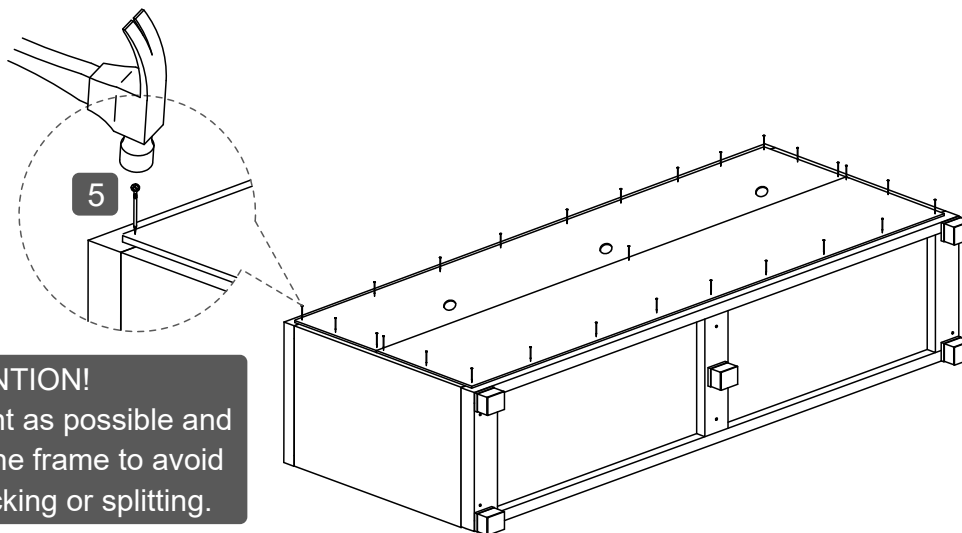
5  50  
20mm



1st: Place J and G centered over the frame of the unit.

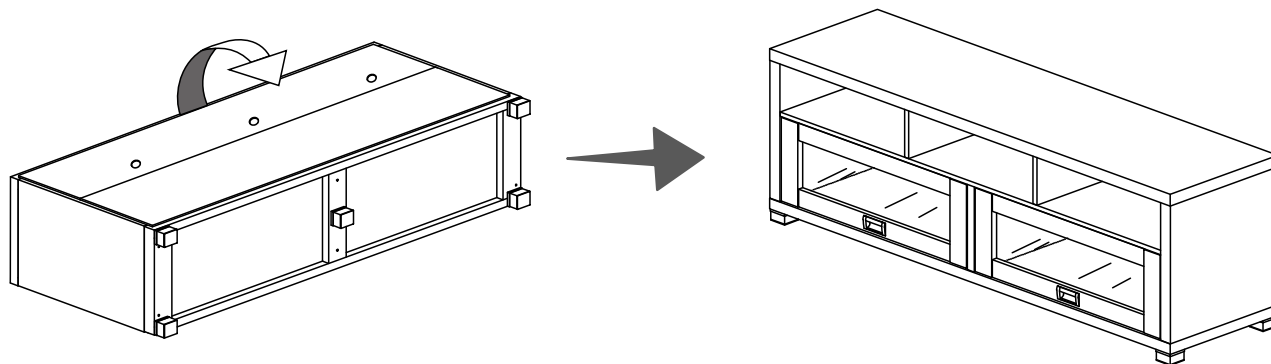


2nd: Use #5 to secure the boards to the frame along the edges.



**⚠ PAY ATTENTION!**  
Nail as straight as possible and centered on the frame to avoid the wood cracking or splitting.

FINALLY: Carefully flip the unit upright.

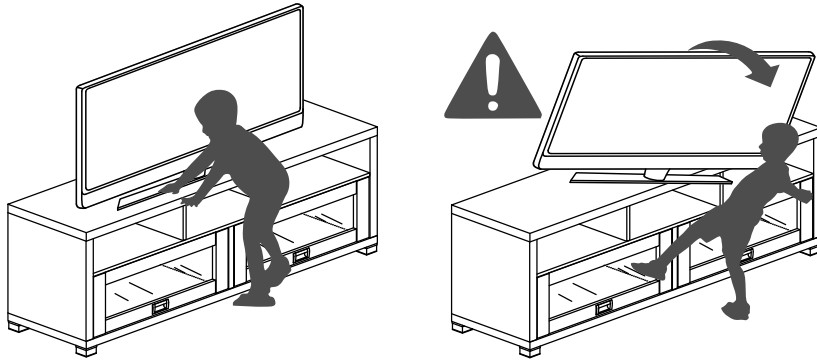


### WARNINGS

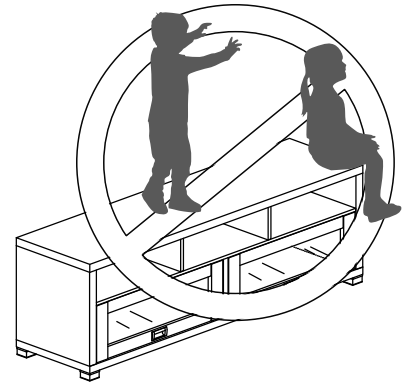
Not paying attention to the following warnings could result in injuries.

#### TIP-OVER WARNING!

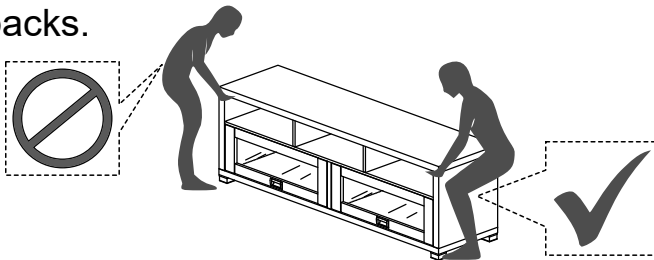
Always pay close attention to small children playing near the unit or if they are watching TV very close to it to prevent tip-over accidents.



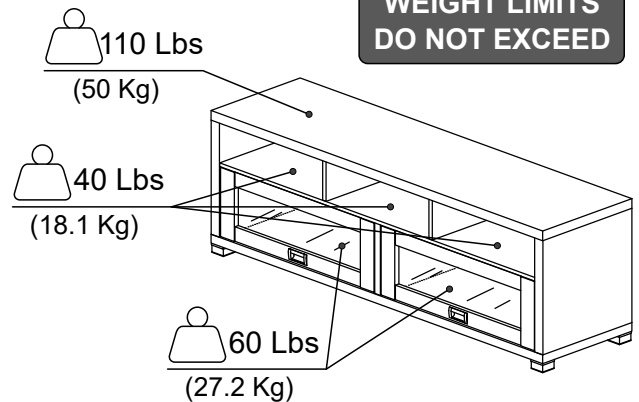
- Do not sit, climb or stand on the Unit.
- Do not allow children to play over or inside the unit.



- 2 persons are required for moving the unit at distances longer than 2 feet.
- Remove or secure your TV or any objects that might fall off during moving.
- Lift by bending your knees, not your backs.



#### WEIGHT LIMITS DO NOT EXCEED

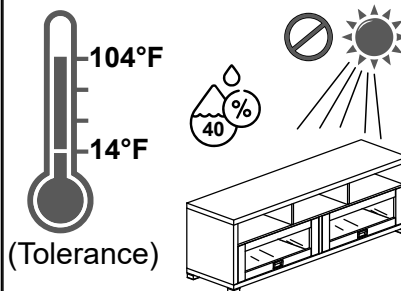


### CARE AND MAINTENANCE

- Clean with a cloth lightly dampened in a solution of mild soap and water.
- Do not use solvents or abrasive materials.



Do not expose to direct sunlight or extreme environmental conditions.



Inspect and re-tighten any loose screws every 4 months.



### LIMITED WARRANTY



For details, please visit our website: [Technimobili.com](http://Technimobili.com)

To file a claim or request information, please email to: [warranty@rtaproducts.com](mailto:warranty@rtaproducts.com)

