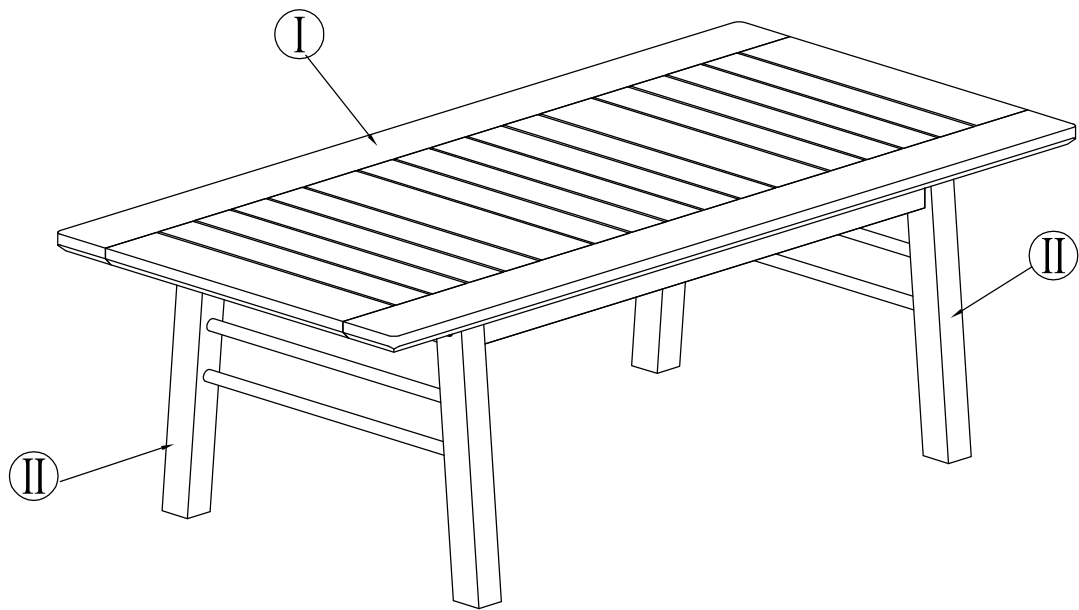


Maximum capacity : 60 kgs/122 Lbs

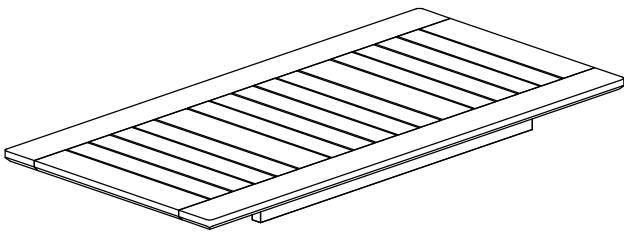




NOTE: 50% TIGHTEN BEFORE FIXING ALL BOLTS & SCREWS

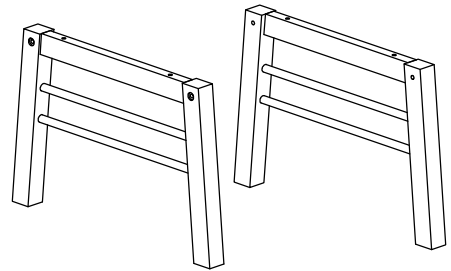
### COMPONENTS LIST

Ⓘ






QTY 1

Ⓜ

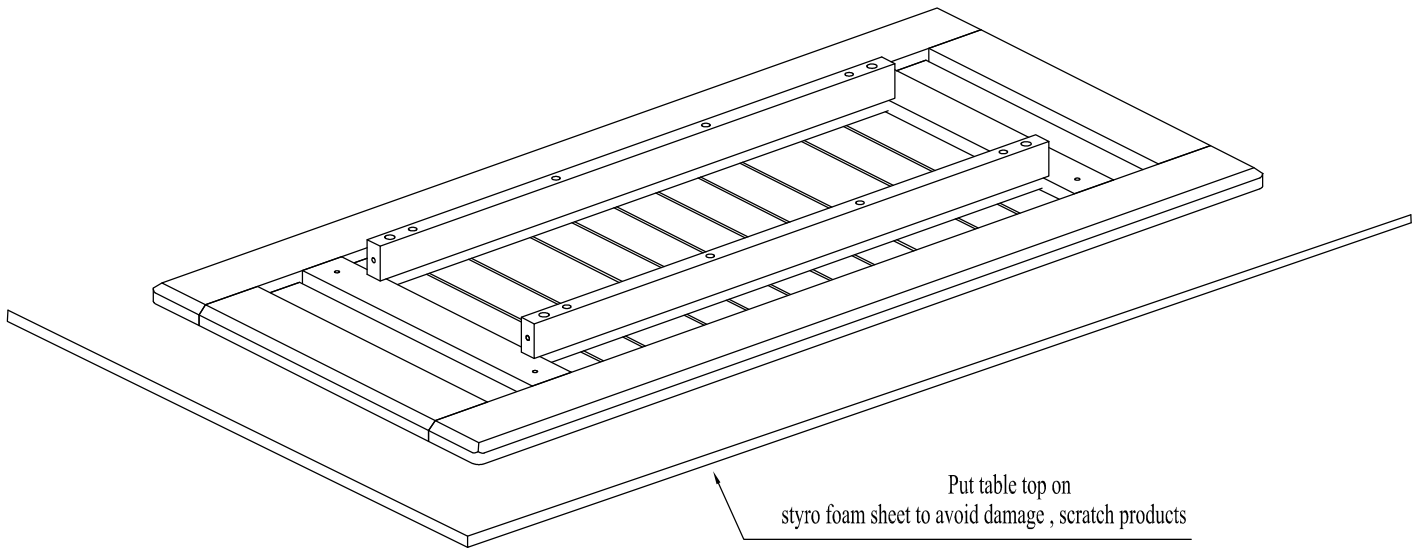


QTY 2

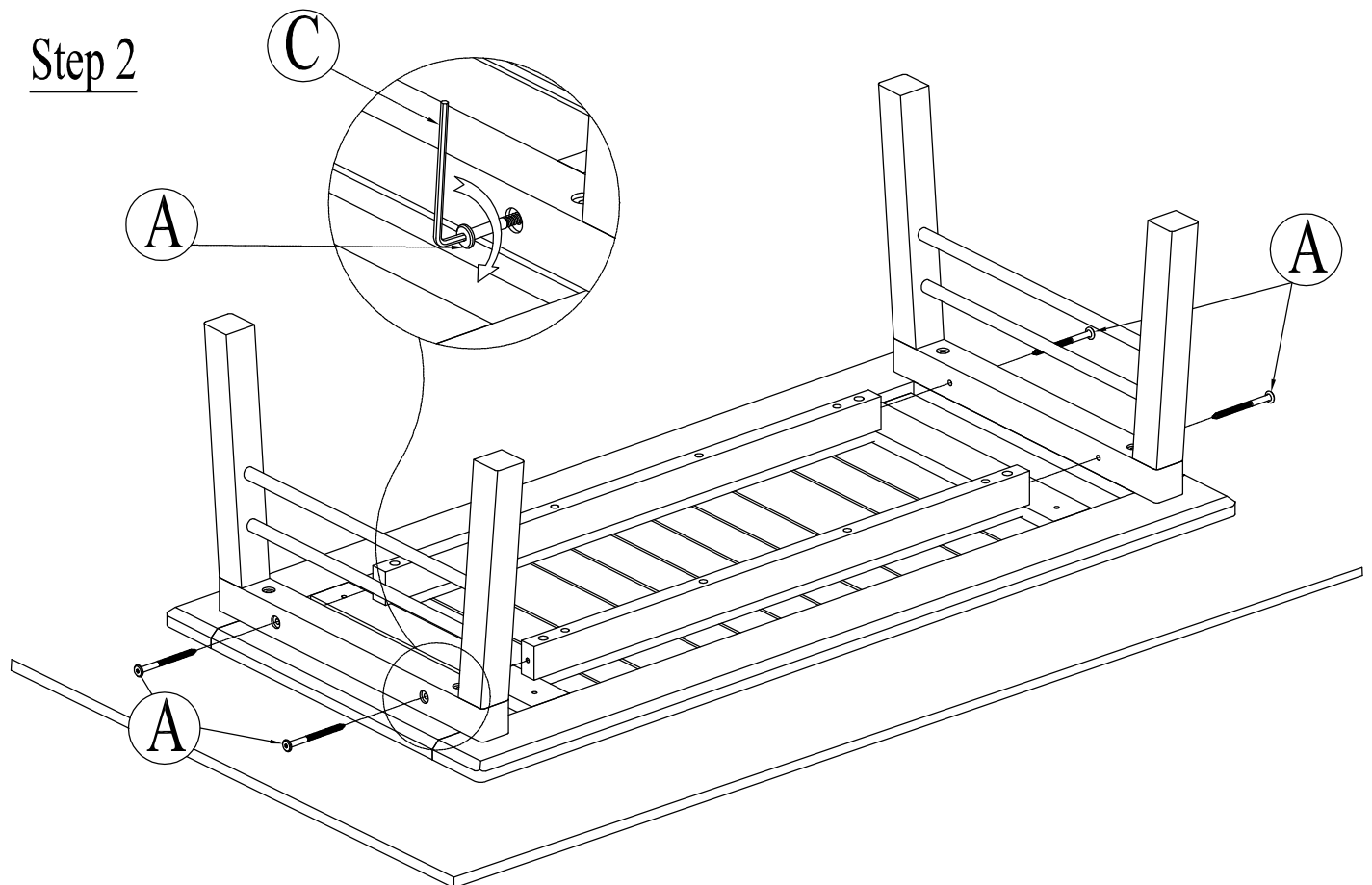
### HARDWARE LIST

A		4	Screw 7 x 90	C		2	Allen Key
B		4	Screw 7 x 60				

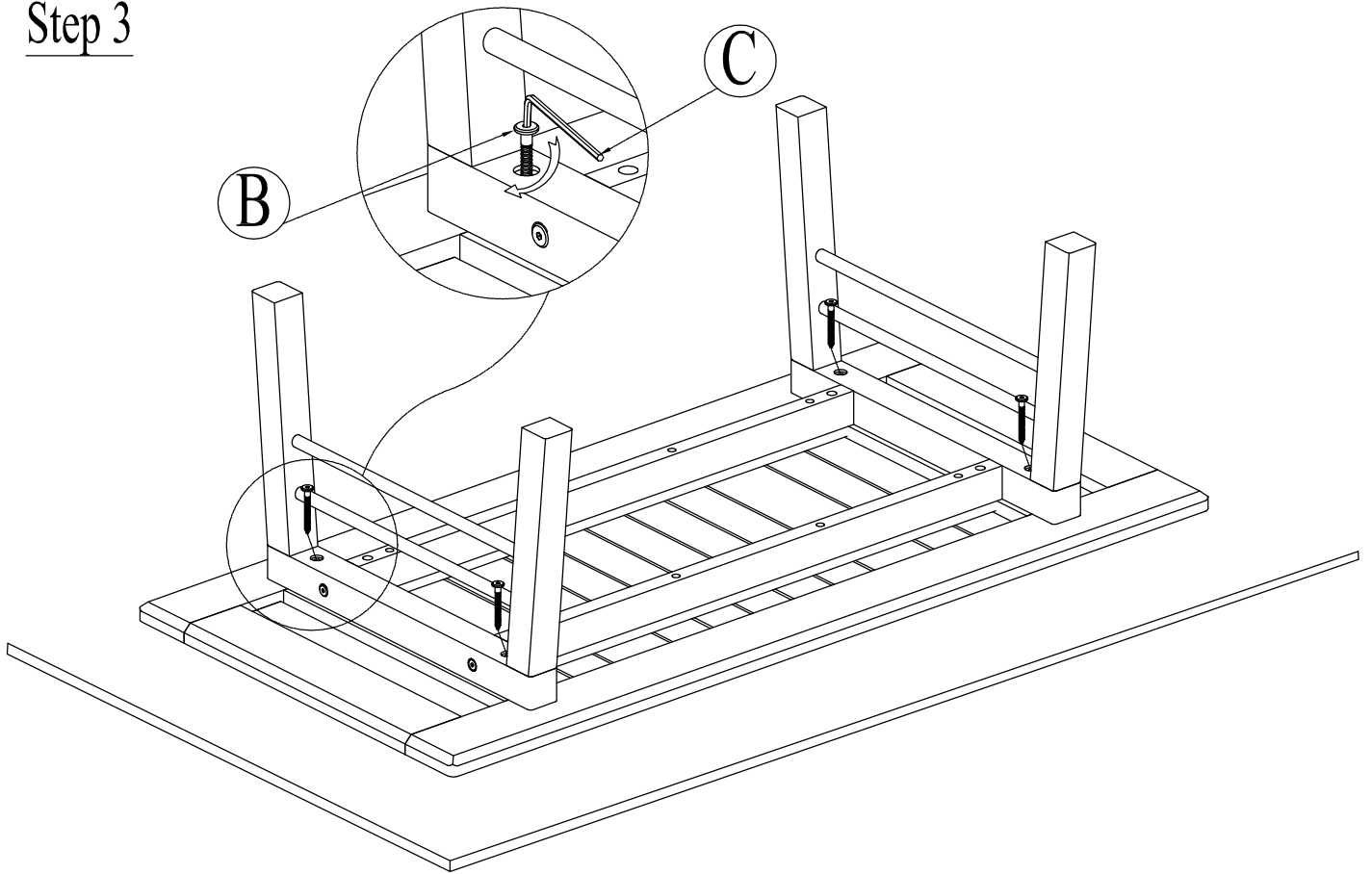
# Step 1



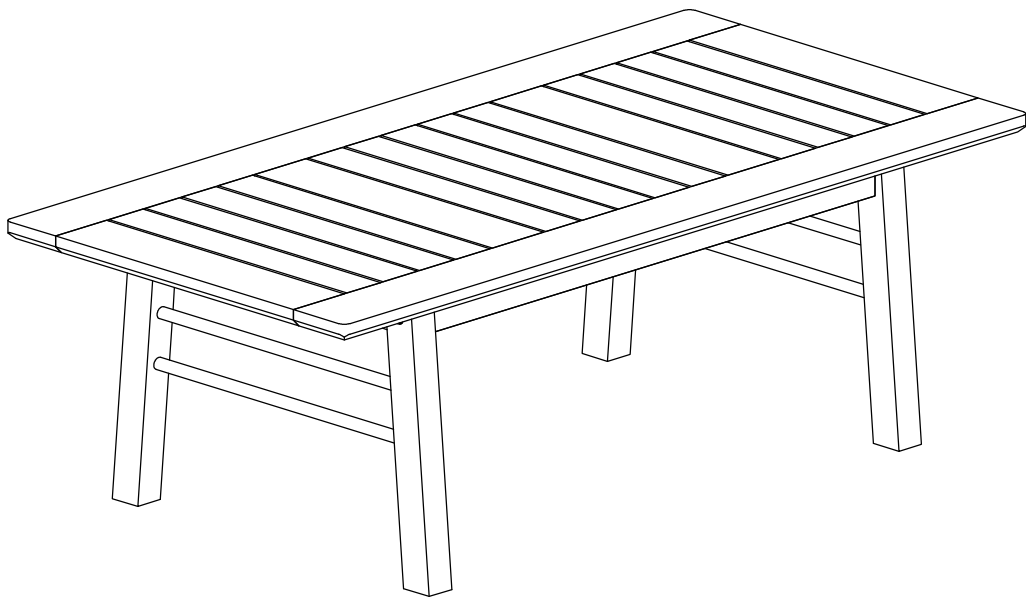
# Step 2

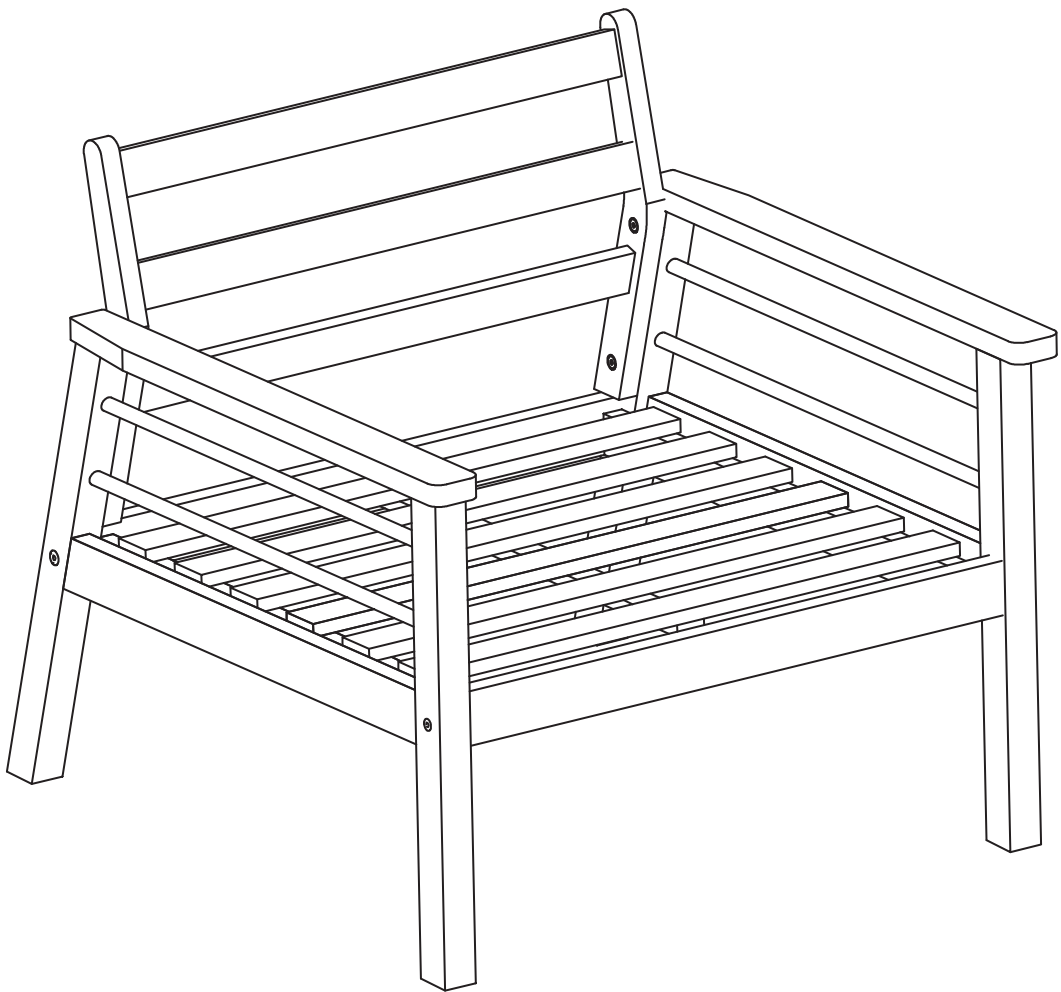


### Step 3



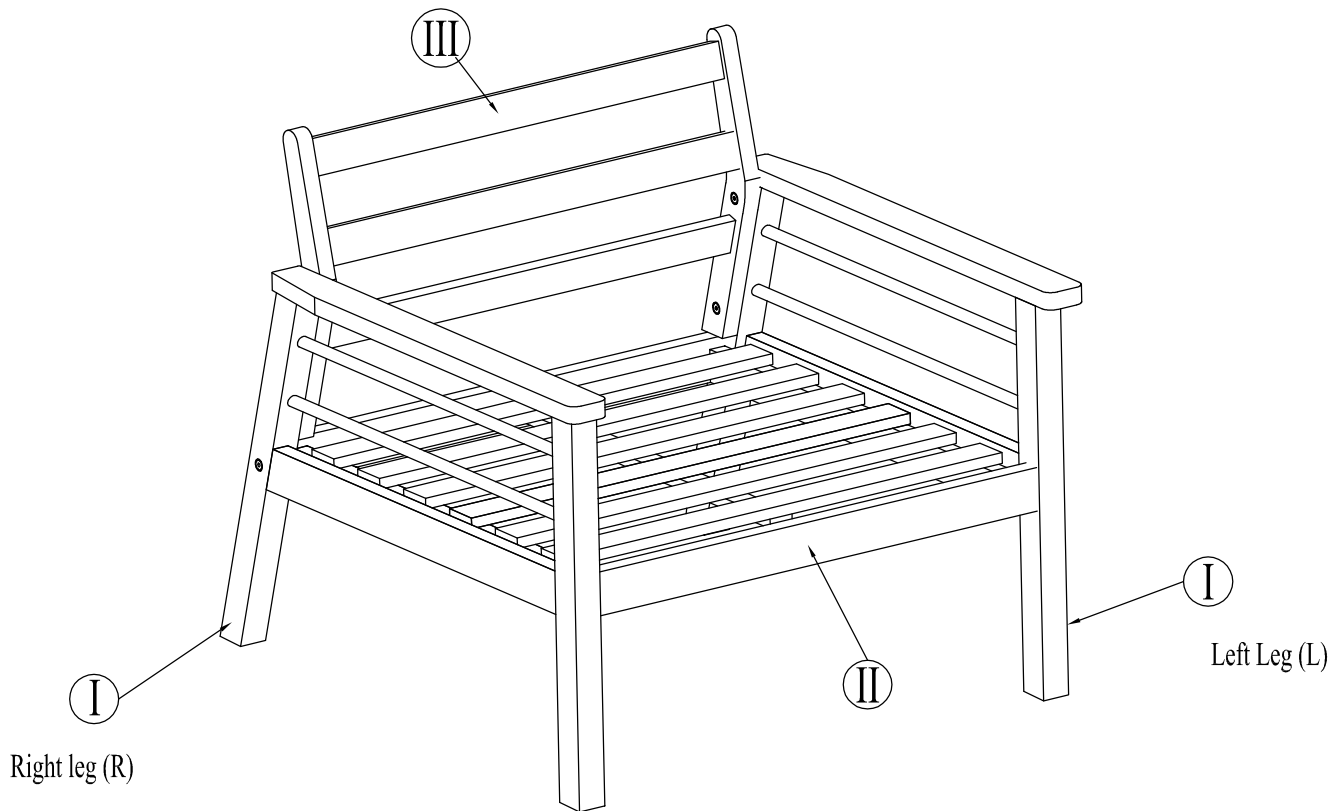
### Step 4





Maximum capacity : 110 kgs/242 Lbs





NOTE: 50% TIGHTEN BEFORE FIXING ALL BOLTS & SCREWS

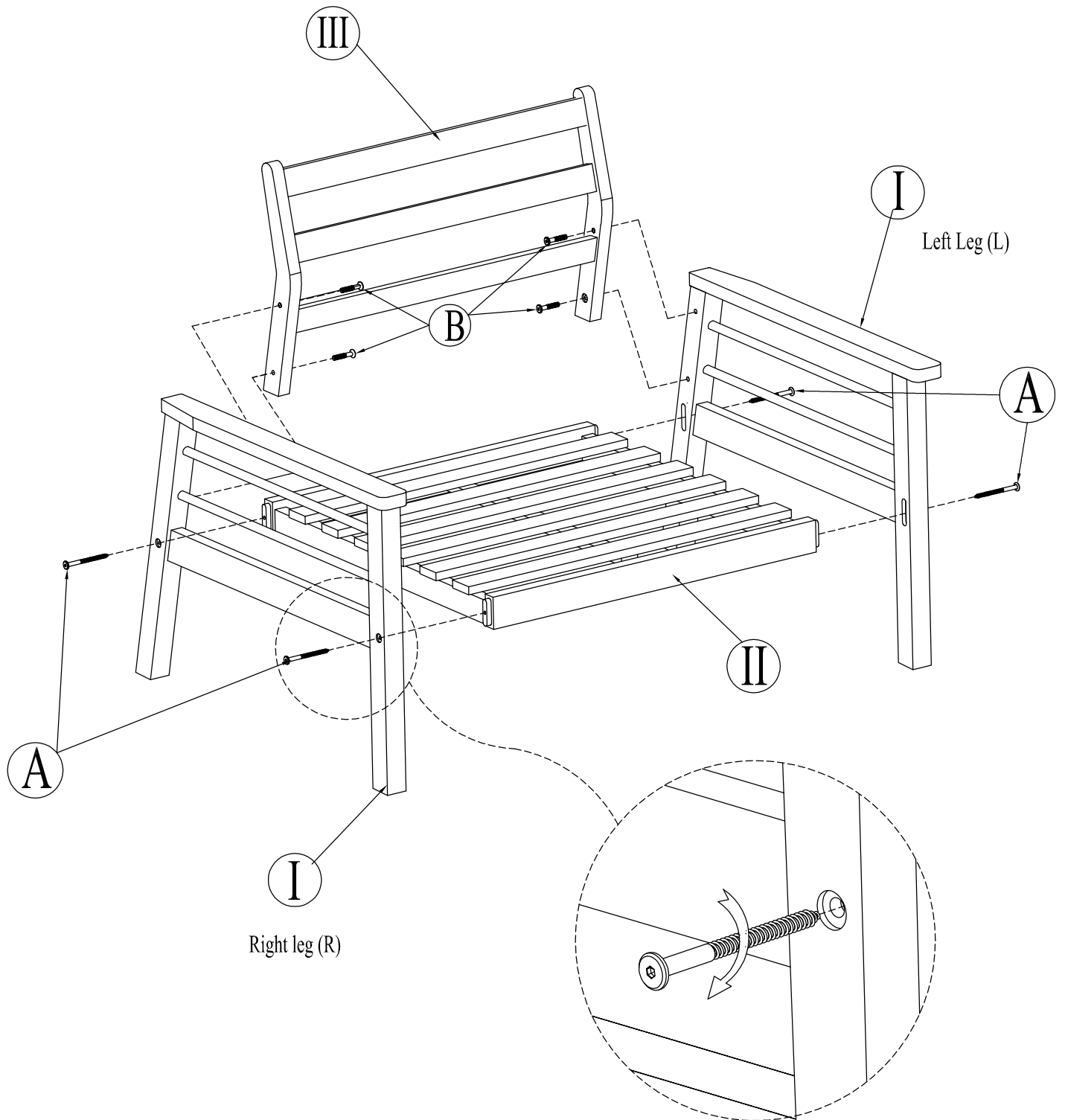
### COMPONENTS LIST

<p>①</p> <p>Right leg (R)</p> <p>QTY 2</p>	<p>②</p> <p>QTY 1</p> <p>③</p> <p>QTY 1</p>	<p>④</p> <p>QTY 1</p> <p>⑤</p> <p>QTY 1</p>
--	---	---

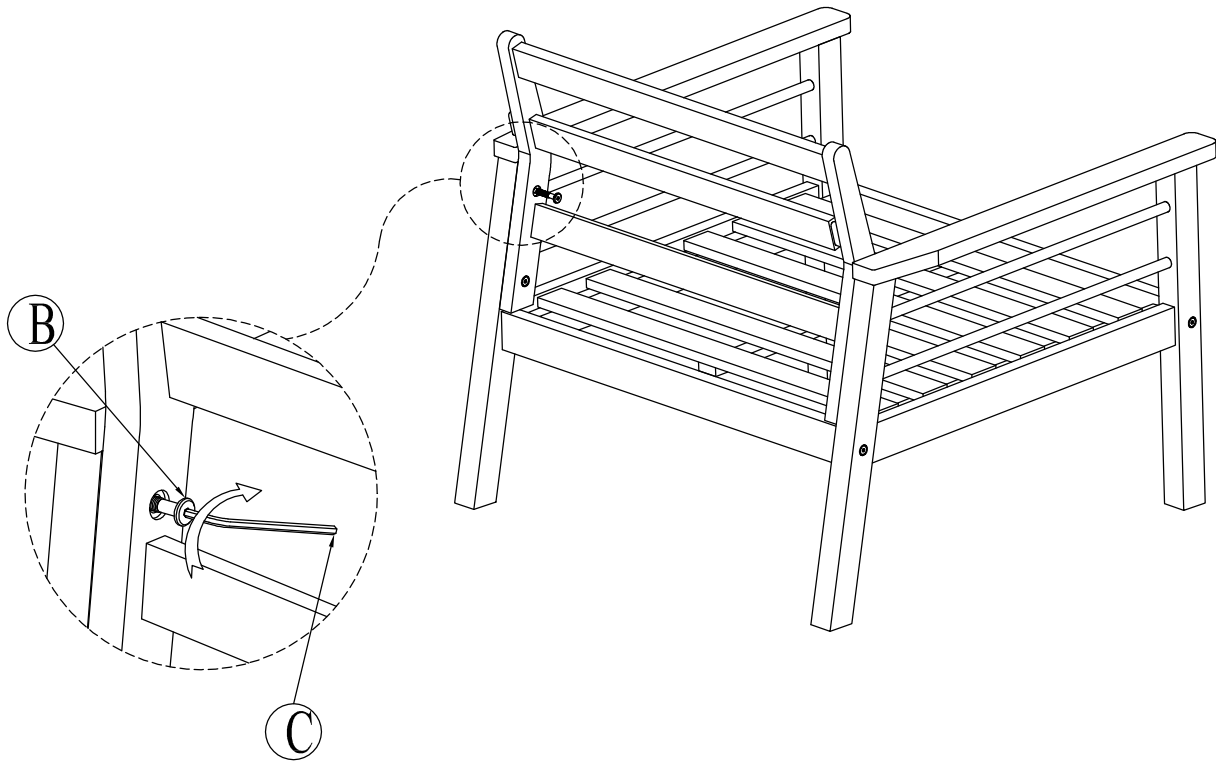
### HARDWARE LIST

A		4	Screw 7 x 90	C		2	Allen Key
B		4	Bolt 8 x 45				

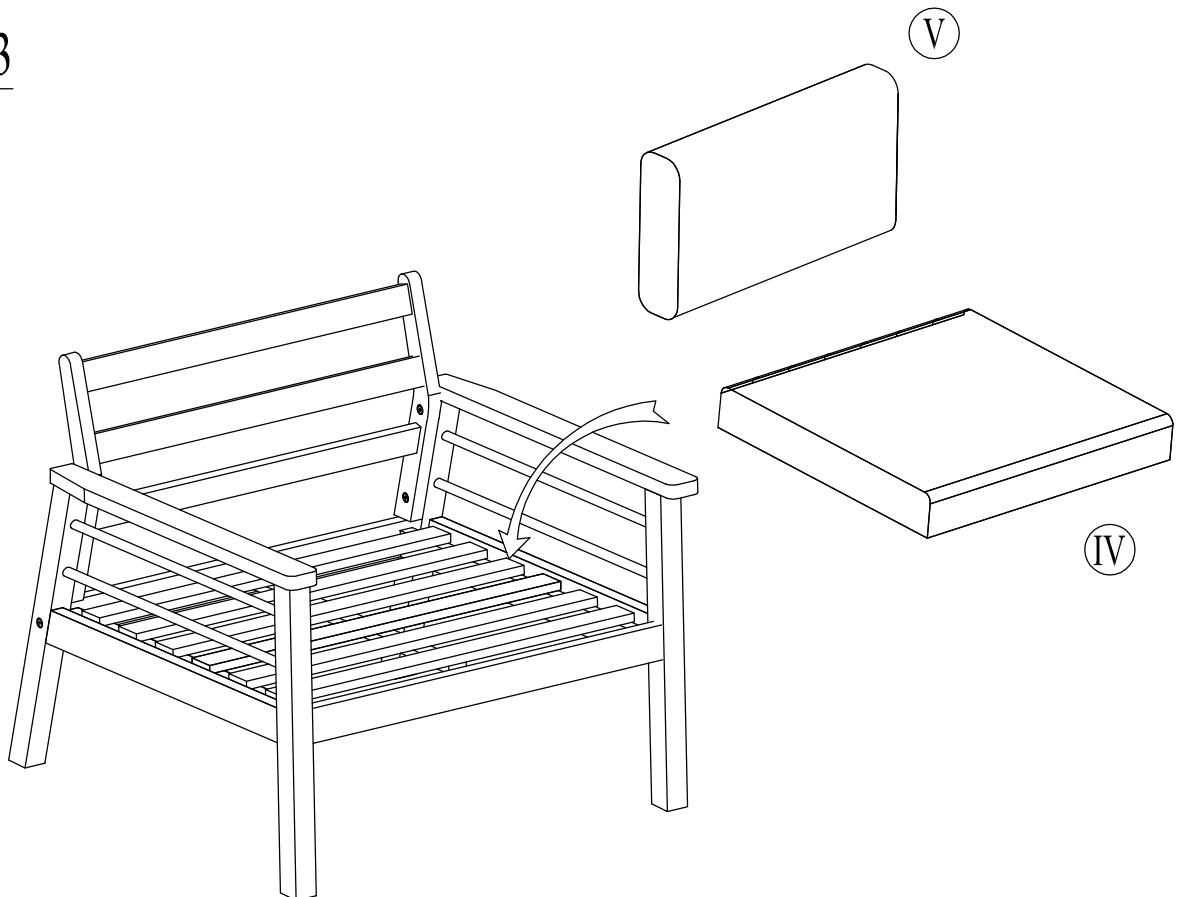
# Step 1

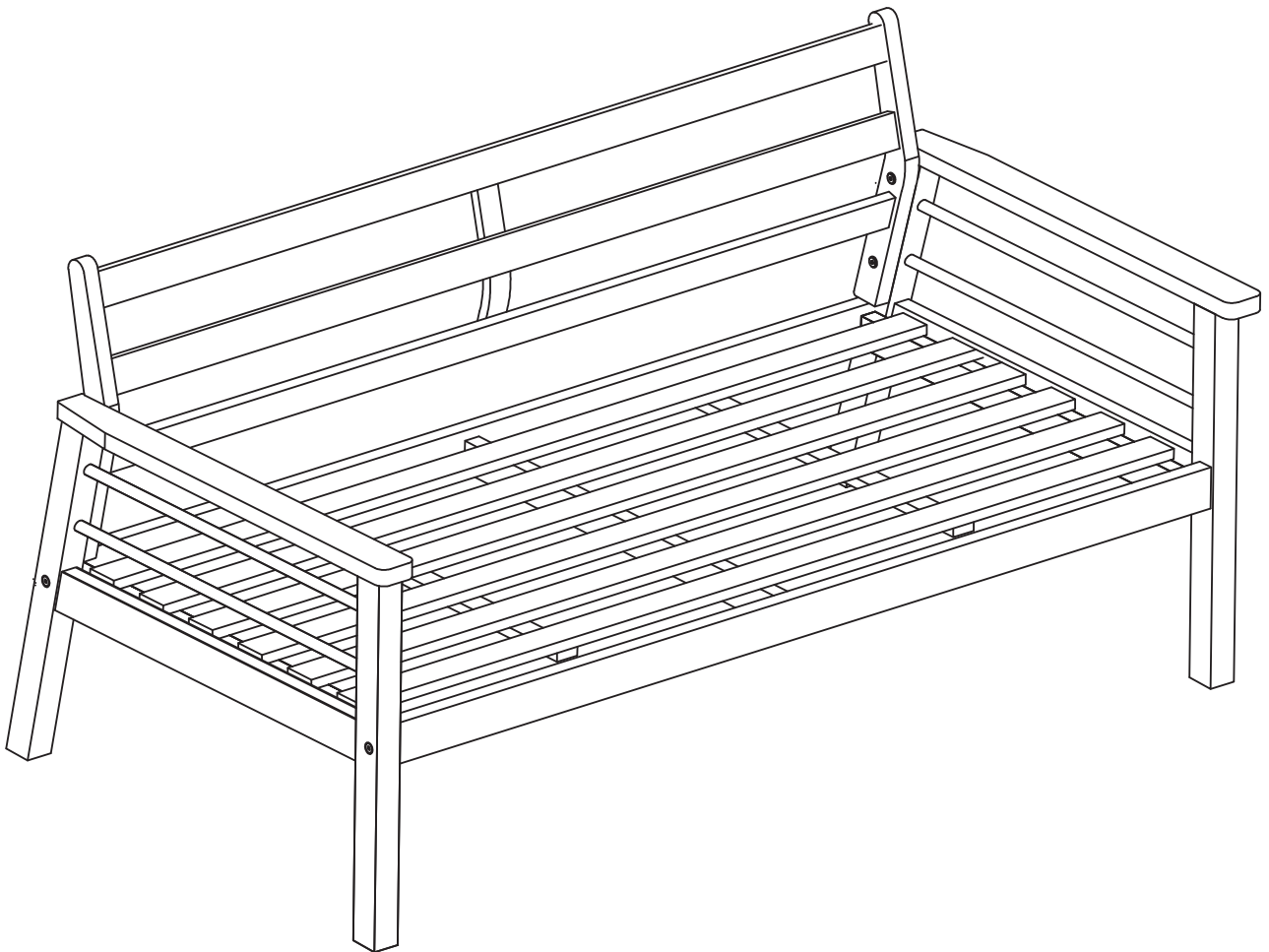


## Step 2



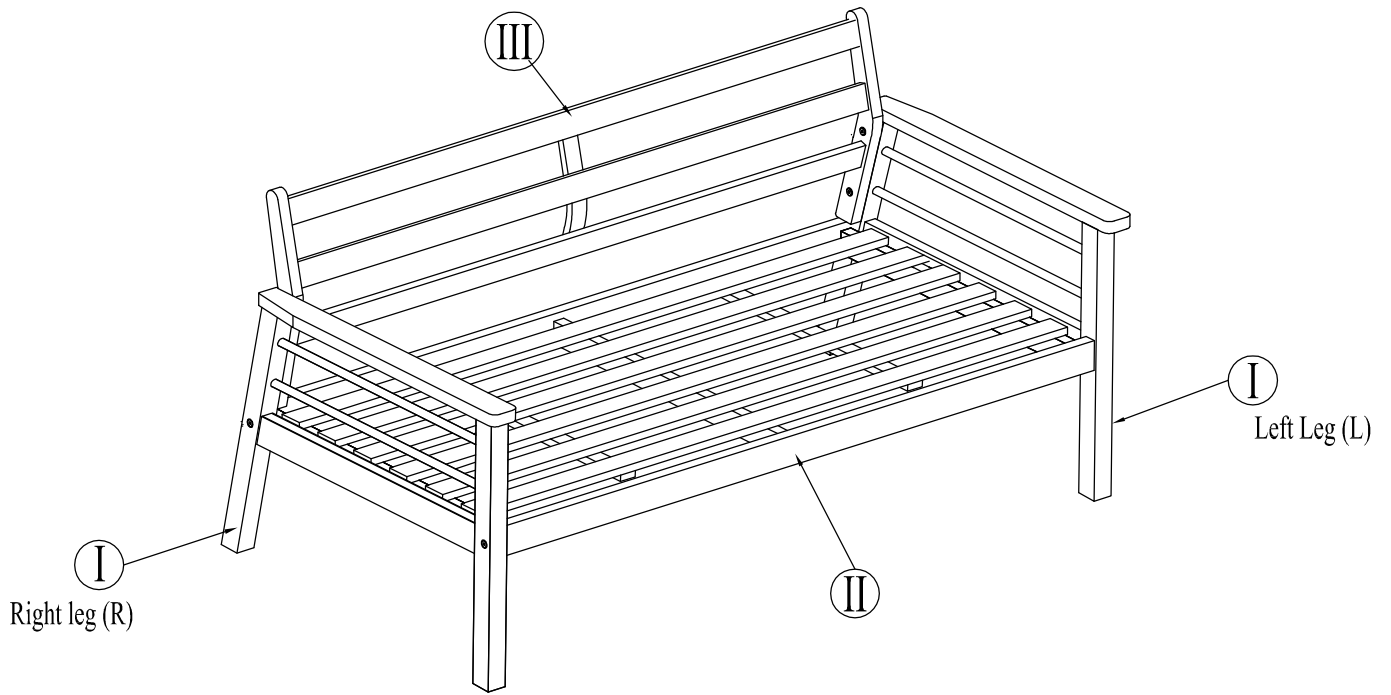
## Step 3





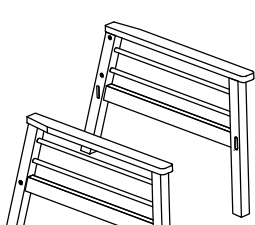
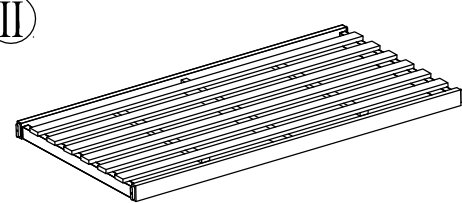
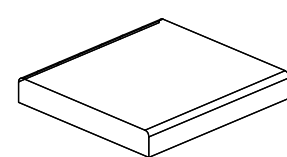
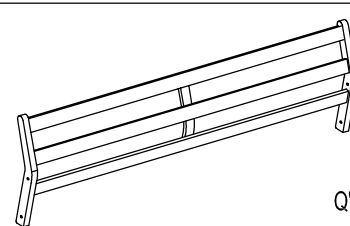
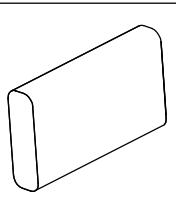
Maximum capacity : 220 kgs/ 485 Lbs





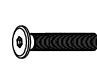


NOTE: 50% TIGHTEN BEFORE FIXING ALL BOLTS & SCREWS

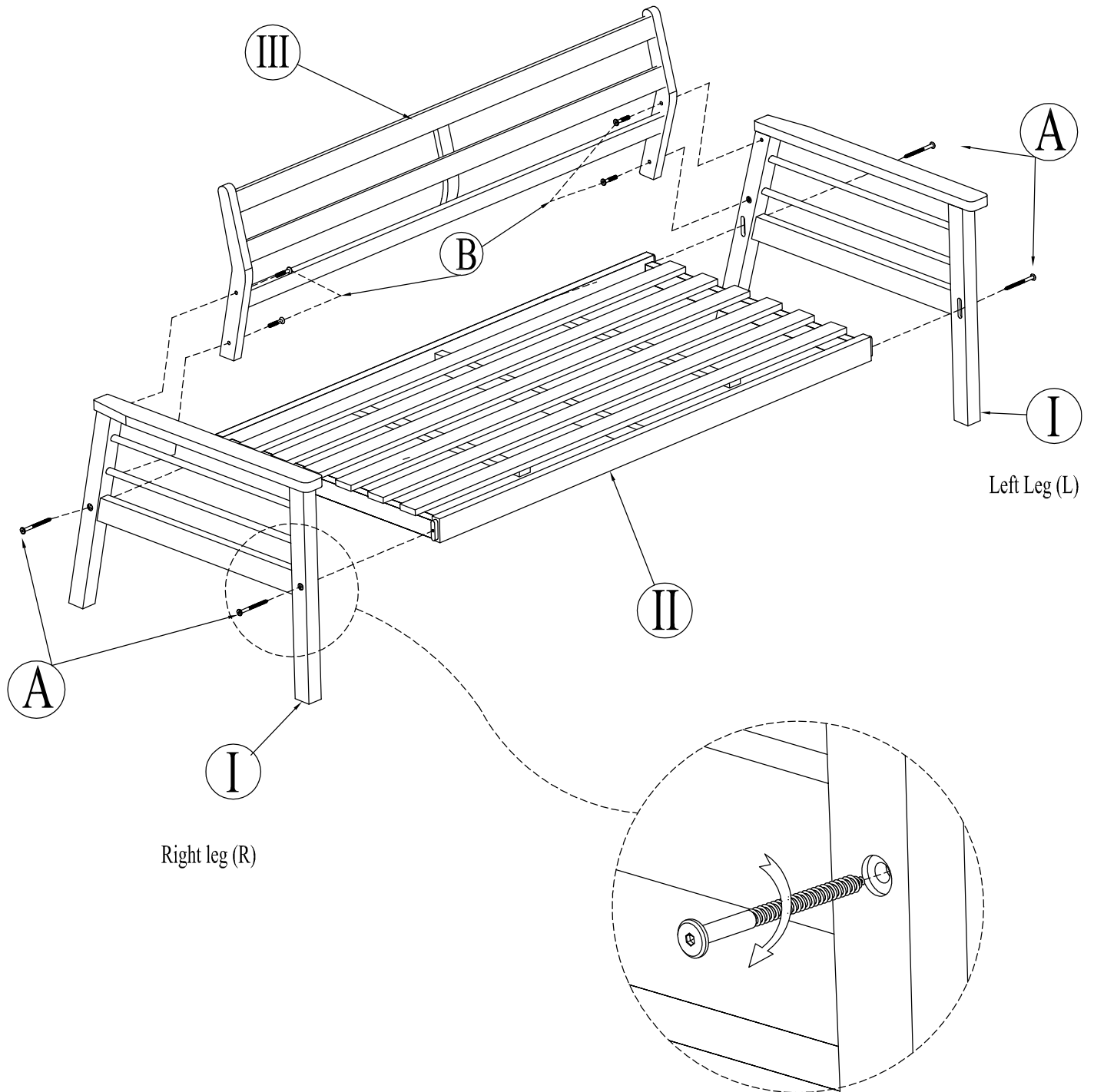
### COMPONENTS LIST

<p>①</p>  <p>Left Leg (L)</p> <p>QTY 2</p>	<p>②</p>  <p>QTY 1</p>	<p>④</p>  <p>QTY 2</p>
<p>Right leg (R)</p> <p>QTY 2</p>	<p>③</p>  <p>QTY 1</p>	<p>⑤</p>  <p>QTY 2</p>

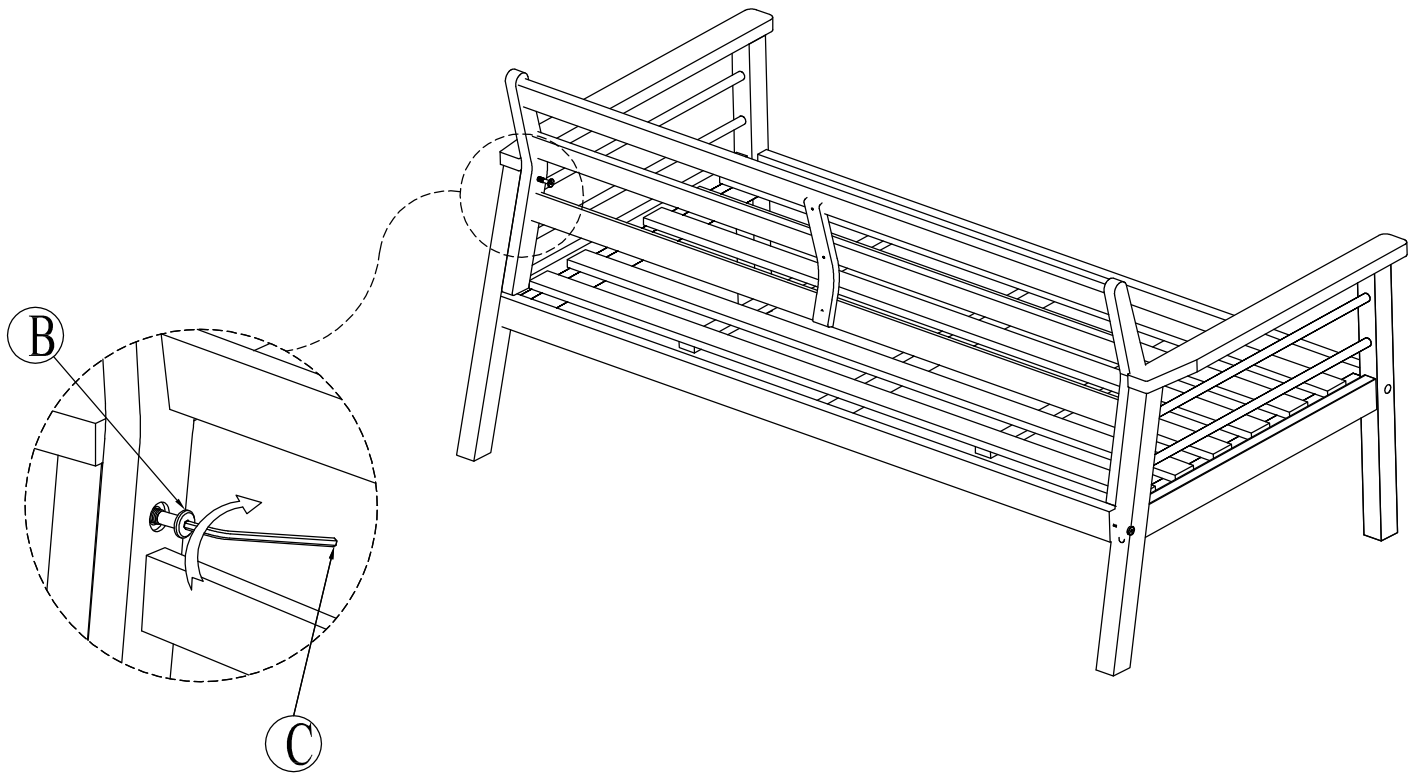
### HARDWARE LIST

A		4	Screw 7 x 90	C		2	Allen Key
B		4	Bolt 8 x 45				

# Step 1



## Step 2



## Step 3

