

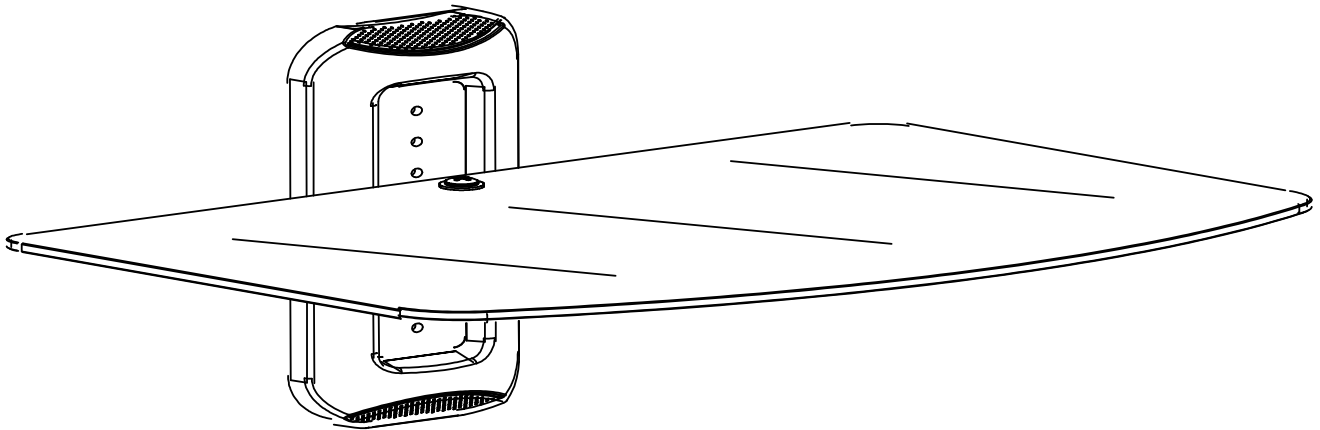
THIS INSTRUCTION BOOKLET CONTAINS
IMPORTANT SAFETY INFORMATION. PLEASE
READ AND KEEP FOR FUTURE REFERENCE.

Lot Number: _____

Date: _____

Wall Mountable AV Shelf

Model No: 63607077/ 63607057



Product Warranty: The Manufacturer, warrants to the original purchaser that its products are free from defect in materials or workmanship. If after inspection, we find that the product was defective in materials or workmanship, we shall repair or replace the product at our discretion. This warranty does not cover accidental damage, misuse, improper care or alteration and excludes claims for incidental or consequential loss. This limited warranty applies to product purchased in the U.S. and Canada. This warranty gives you specific legal rights and you may also have other rights which vary from State to State. The warranty duration is one year.

Keep this Instruction Manual for future reference.

Keep your original proof of purchase (store receipt).

If parts are missing, DO NOT return to the store.

To order missing / replacement parts or for assembly assistance please contact **customerrelations@atlantic-com.com**

Or call 1-855-828-5679 M- T h, 8am-5pm, Fri, 8am-12pm, P.S.T.

Assembly Tips:

Become familiar with the instructions and all parts.

Make sure that all parts in the box are in good condition.

Assemble the product on the open flat carton or a rug to protect the product and your floor.

Do not install on a sloping surface.

Caution:

Never let children climb on product or play with product.

Do not sit or stand on furniture.

Do not place a weight that is heavier than the recommended load rating on the product surface.

If you do not understand these instructions, or have doubts about the safety of this installation, contact customer service or call a qualified contractor. The manufacturer is not liable for damage or injury caused by incorrect mounting, assembly or use.

The weight of your DVD must not exceed 22 lbs (10 kgs). The wall must be capable of supporting five times the weight of the DVD plus the mount.

Improper handling can result in cuts and lacerations.

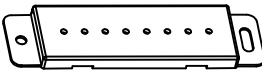
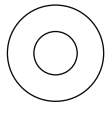
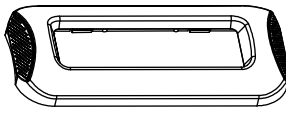
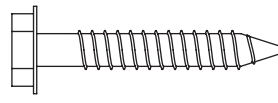

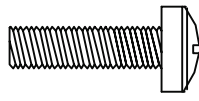



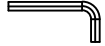
Images are for reference only.

Care Instructions:



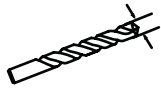
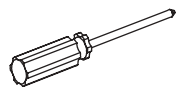
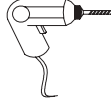

Use electrostatic dust cloths to clean product surfaces.

Do not set hot or cold containers directly on the product surface.

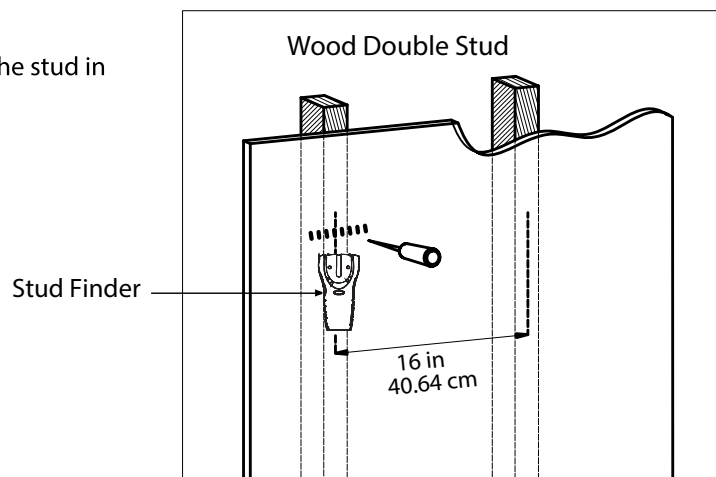
Parts List

Item	Components	Qty	Item	Components	Qty
A		1	F		1
B		1	G		2
C		1	H		1
D		1	J		4
E		2	K		1

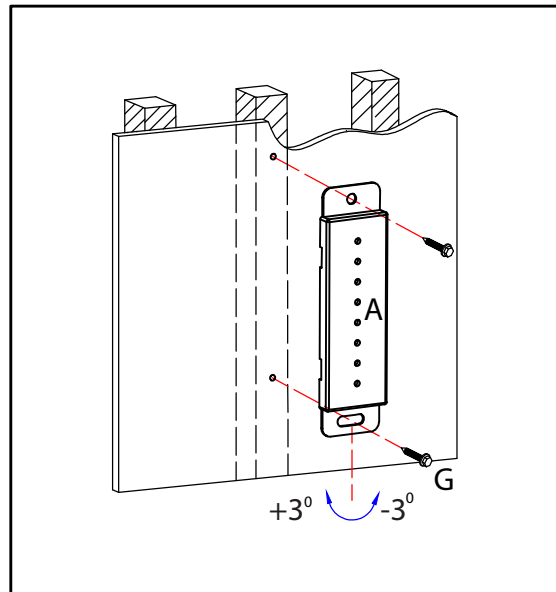
Tools Needed (not included)

					
Safety Glasses	Hammer	Wood Drill Bit	Philips Screwdriver	Drill	Stud Finder

Note: Please use wood stud finder to find the stud in the wall before assembly.



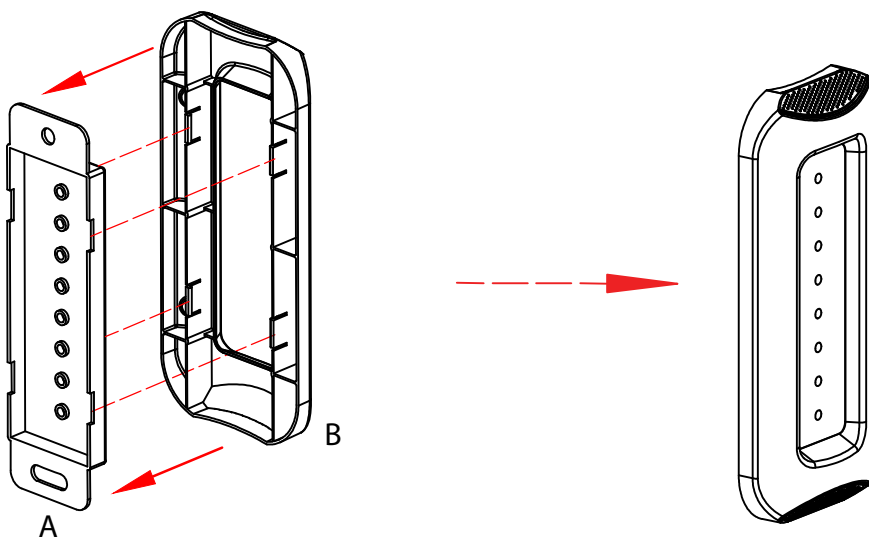
1



This shelf is designed to be mounted into wood studs. Included hardware is not designed to be used in hollow walls, cinder block, red brick, or metal studs. Should you want to mount your TV mount into any surface other than wood studs, Atlantic recommends that you seek the assistance of a professional installer.

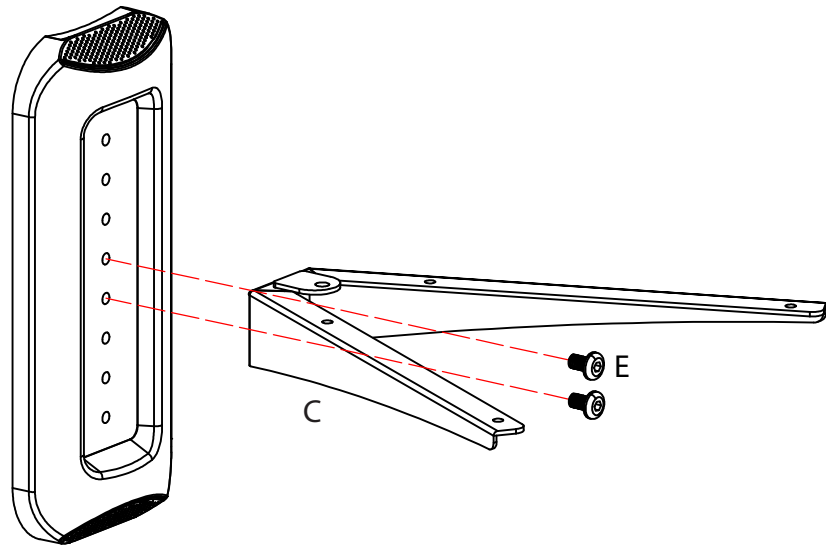
Using a stud finder, locate center of wood studs in your wall, then hold wall plate (A) against wall at your desired location. Use a pen or pencil to mark the location of where the 2 mounting will go into wall. Before marking, ensure that wall plate is level. Pre-drill the screws (G) marked 2 holes using 7/32in. (5.5mm) drill bit, then fasten wall plate (A) to wall with screws (G).
DO NOT MOUNT ONLY INTO DRYWALL. MUST BE BOLTED TO STUDS.

2



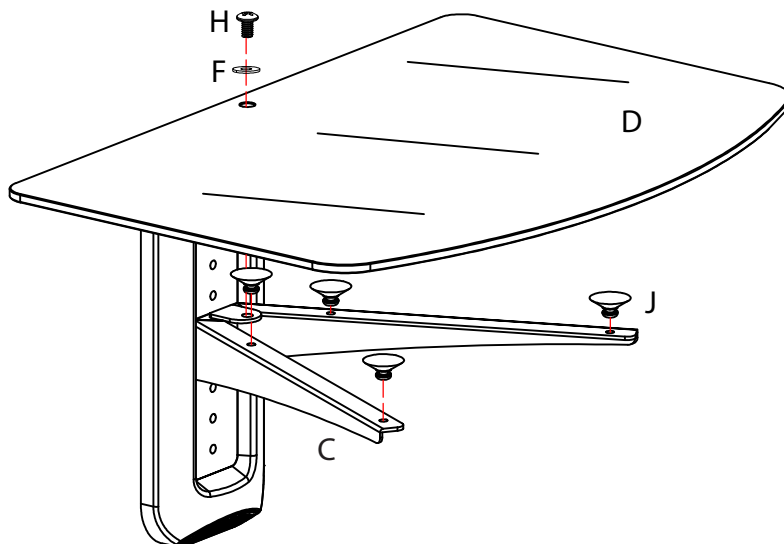
Attaching cover (B) to wall plate (A).

3

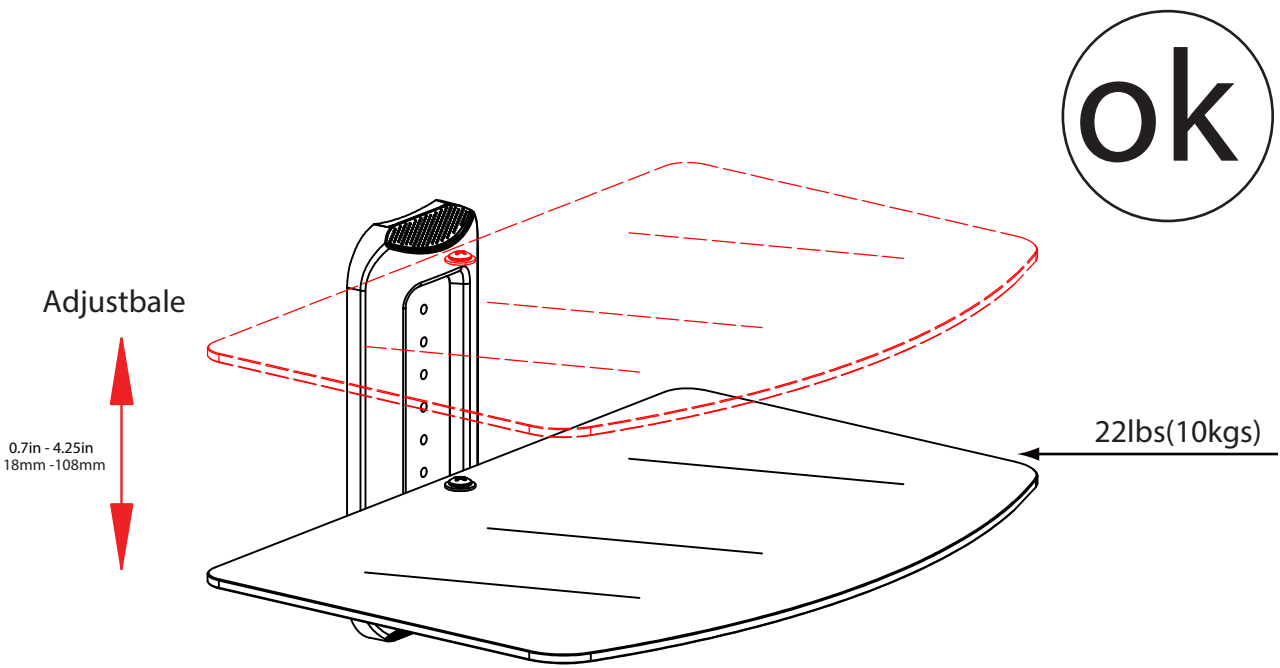


Attaching metal support(C) to wall plate(A) with screws(E) and allen wrench(K) according to your desired height.

4



Insert rubber pad(J) into the holes of metal support(C), put glass shelf(D) onto rubber pad, then fix it with screw(H) and washer(F).



ATLANTIC®

© 2016 Atlantic Inc. Santa Fe Springs, CA. U.S.A.
U.S. and other foreign patents pending /
Patentes de los EU A y países extranjeros en trámite /
Brevets en cours pour les États-Unis et autres pays /
U.S. und andere ausländische Patente sind hängig

All rights reserved / Derechos Reservados /
Tous droits réservés

Made in China / Hecho en China /
Fabriqué en Chine

www.atlantic-inc.com

R2- 10-19-2016 #63607077, 63607057