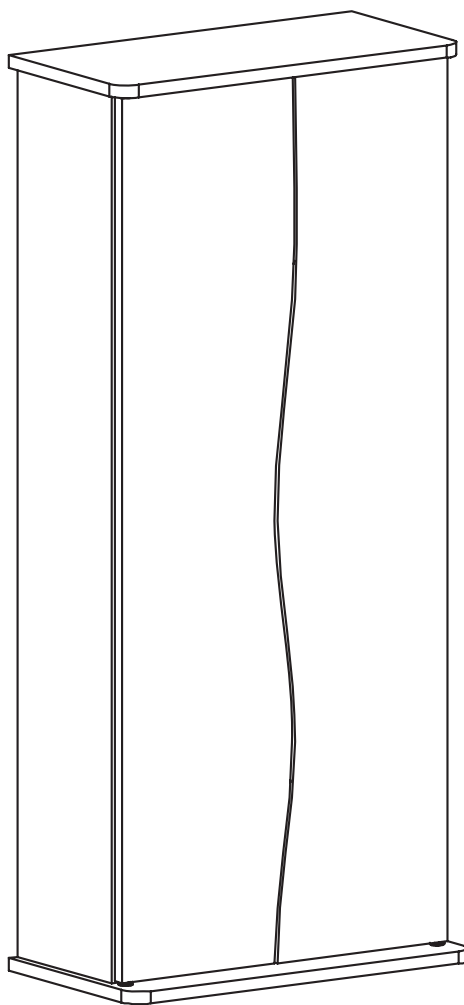


Venus



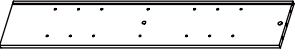
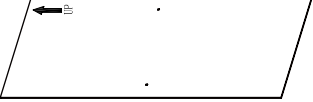
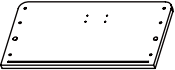



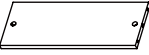
198CD/88DVD/180Blu-ray

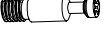







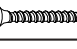

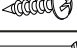
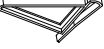


#83035729

ATLANTIC®

Assembly Instruction / Directives d'assemblage / Instrucciones de ensamble:

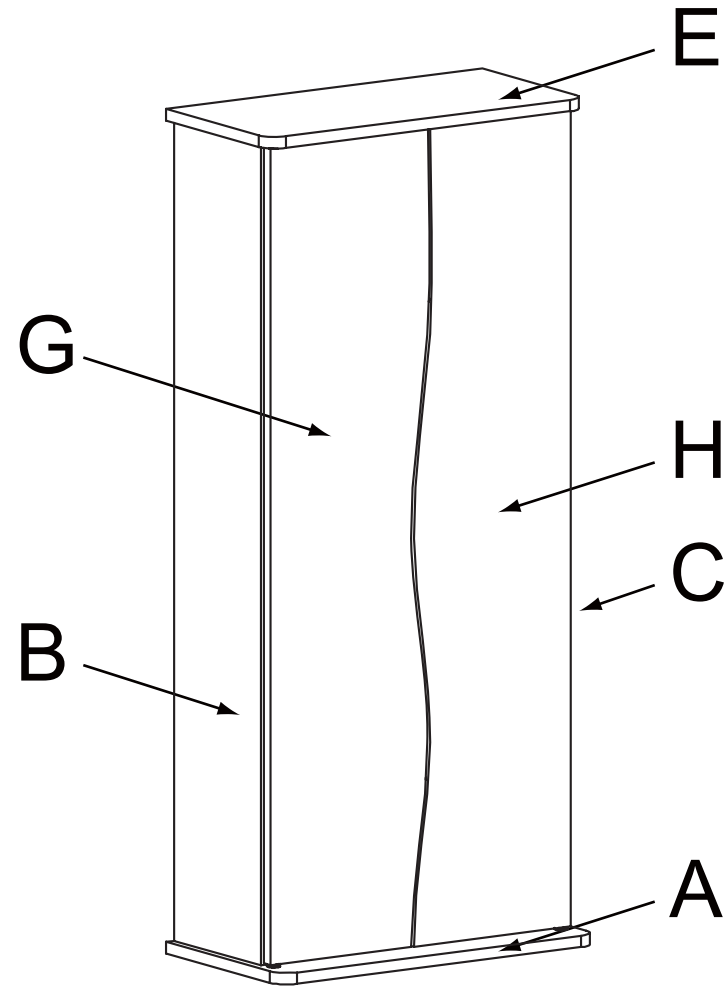
QTY / Cant. / Qté:	Parts List / Lista de Componentes / Liste des pieces:	
1		A
1		B
1		C
1		D
1		E
4		F
1		G
1		H
1		J

QTY / Cant. / Qté:	Parts List / Lista de Componentes / Liste des pieces:	
4		K
4		L
4		M
8		N
2		P
2		Q
1		R
4		S
4		T
16		U
2		V
5		W

Note

Tools needed/ not included
Herramientas requeridas/
no incluidas
Outils requis/ non fournis

Phillips Screwdriver
Desarmador de estrella
(Phillips)
Tournevis Phillips



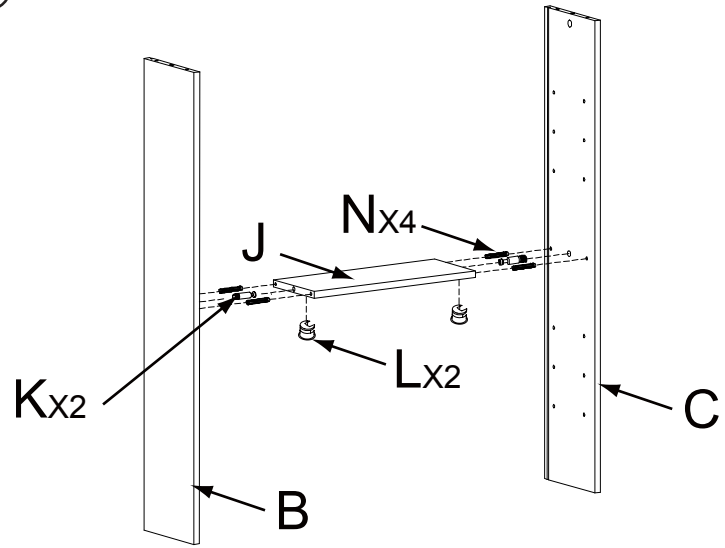
ATLANTIC

©2011 Atlantic Inc.
Santa Fe Springs, CA, U.S.A.

U.S. AND OTHER FOREIGN PATENTS PENDING
Patentes de los EUA y países extranjeros en trámite
Brevets en cours pour Etats Unis et autres pays étrangers
ALL RIGHTS RESERVED
Derechos Reservados / Tous droits réservés
www.atlantic-inc.com

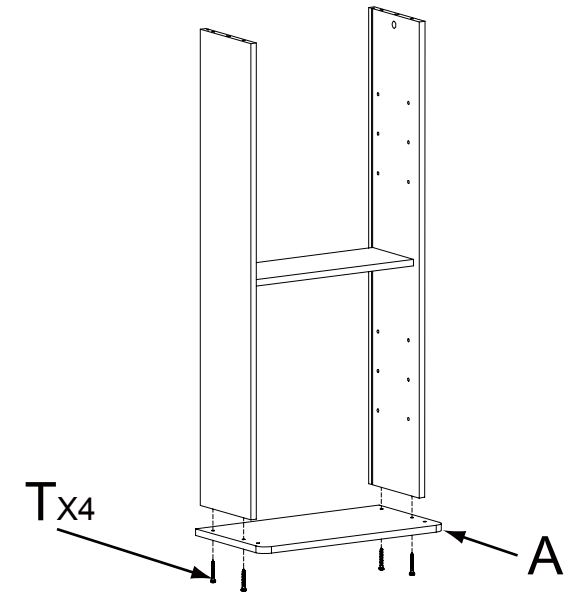
MADE IN CHINA
Hecho en China / Fabriqué en Chine
R 1.1 110706 #83035729

1



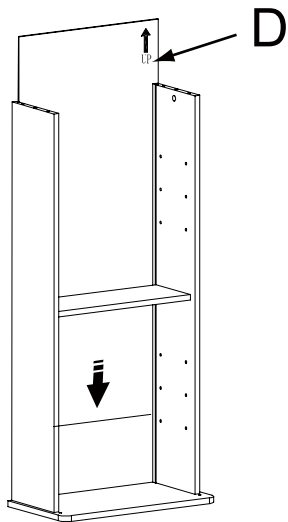
1- Insert dowels (N) and cam screws (K) into panels (B & C). Attach panel (B & C) to panel (J). Turn cam locks (L) clockwise to secure, but not over tighten.

2



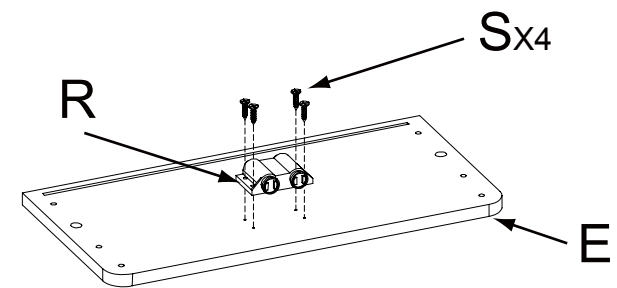
2- Fasten panel (A) to panels (B & C) using screws (T).

3

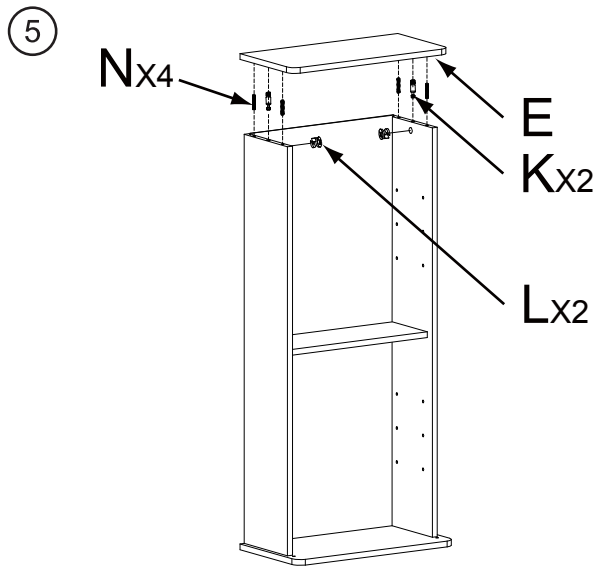


3- Slide back board (D) down between panels (B & C).

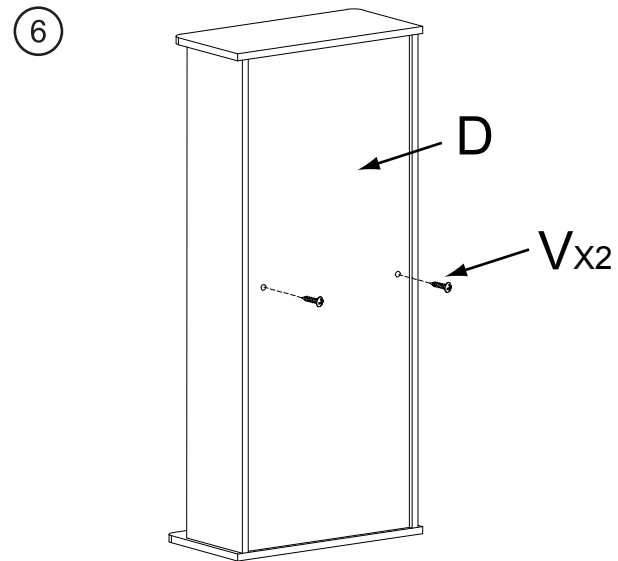
4



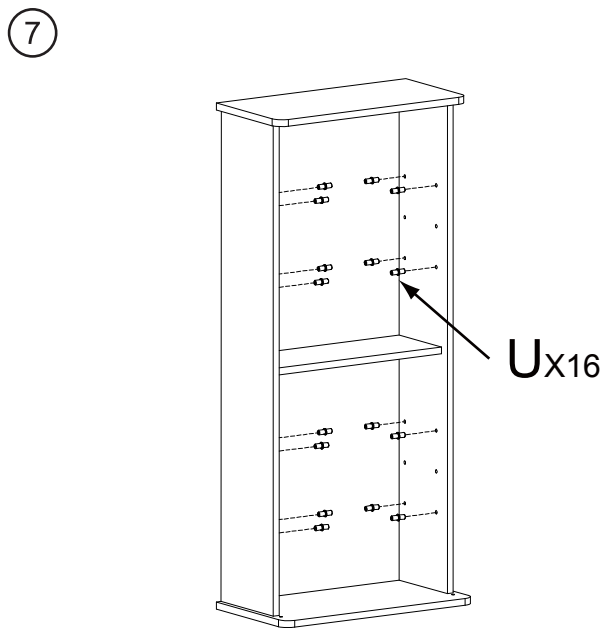
4- Fasten magnet (R) to panel (E) using screws (S).



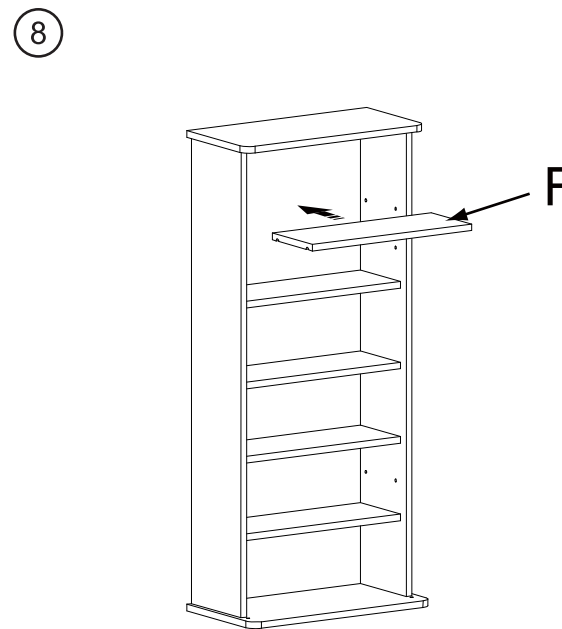
5- Insert dowels (N) and cam screws (K) into panel (E). Attach panel (E) to body .
Turn cam locks (L) clockwise to secure, but not over tighten .



6- Fix back board (D) to body with screws (V) .

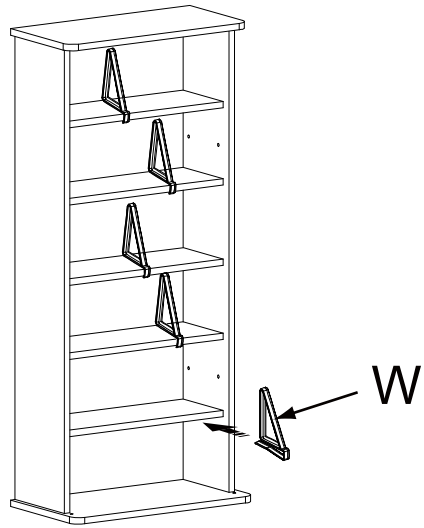


7- Insert shelf pins (U) at desired heights .



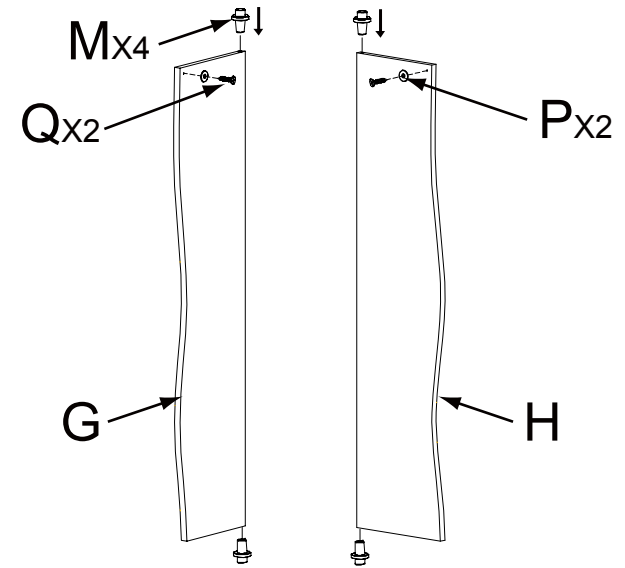
8- Place shelves (F) on shelf pins .

9



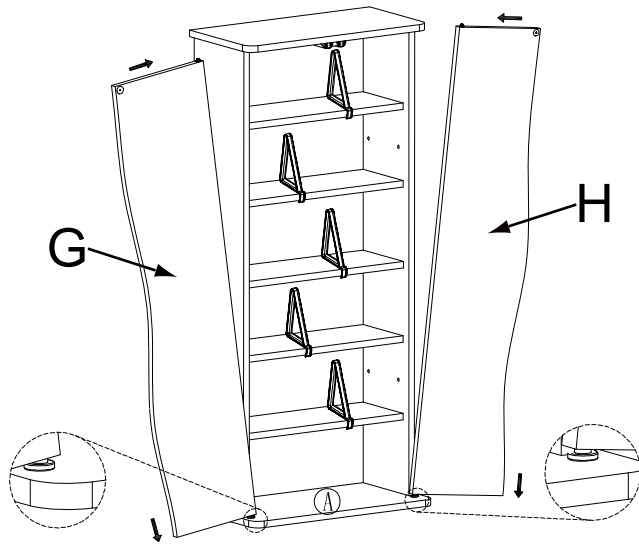
9- Place shelves divider (W) on shelf.

10



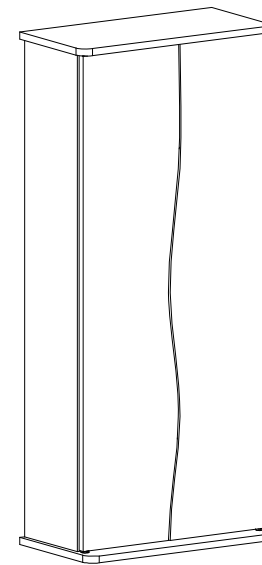
10- Insert hinge (M) into doors (G & H). Fasten metal ring (P) to door with screw (Q)

11



11- Attach doors (G & H) to the unit.

OK



ATLANTIC

©2010 Atlantic Inc.
Santa Fe Springs, CA, U.S.A.

U.S. AND OTHER FOREIGN PATENTS PENDING
Patentes de los EUA y países extranjeros en trámite
Brevets en cours pour Etats Unis et autres pays étrangers

ALL RIGHTS RESERVED
Derechos Reservados / Tous droits réservés
www.atlantic-inc.com

MADE IN CHINA
Hecho en China / Fabriqué en Chine
R 1.1 110706 #83035729