


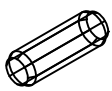
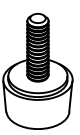
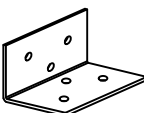




Assembly Instructions

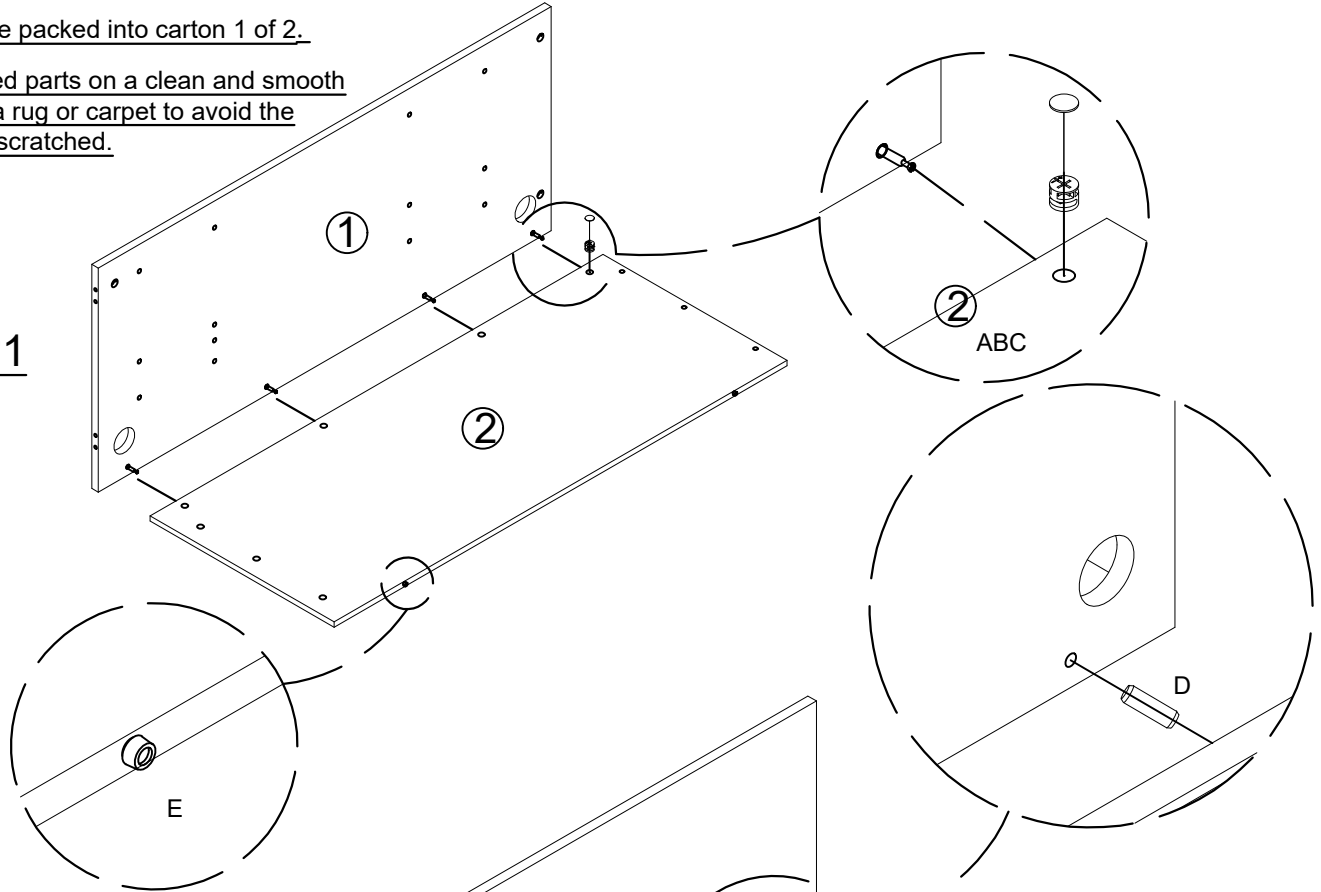
MODEL NO.:N369G

TUN010CL	TUN010KL		TUN026	TUN021AG	TUN013LB	TUN018SC	TUN015BG
A  Cam lock 23Pcs+1Pc(spare)	B  Klix Cam 23Pcs+1Pc(spare)	C  Cam Cover 28Pcs+1Pc(spare)	D  Dowel 9Pcs+2Pc(spare)	E  Adjustable Glide 4 PCS	F  6Hole L-Bracket 6Pcs	G  screw#4*5/8" 37Pcs+1Pc(spare)	H  80mm Black Grommet 2 PCS

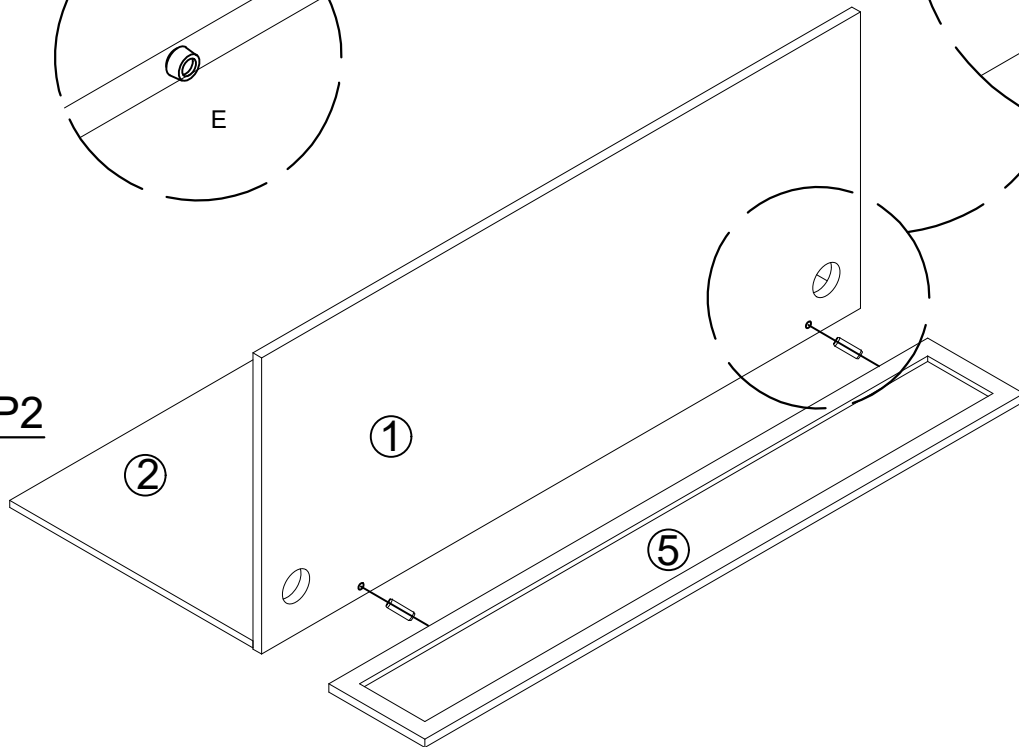
Note: Hardware packed into carton 1 of 2.

Place all laminated parts on a clean and smooth surface such as a rug or carpet to avoid the parts from being scratched.

STEP1



STEP2

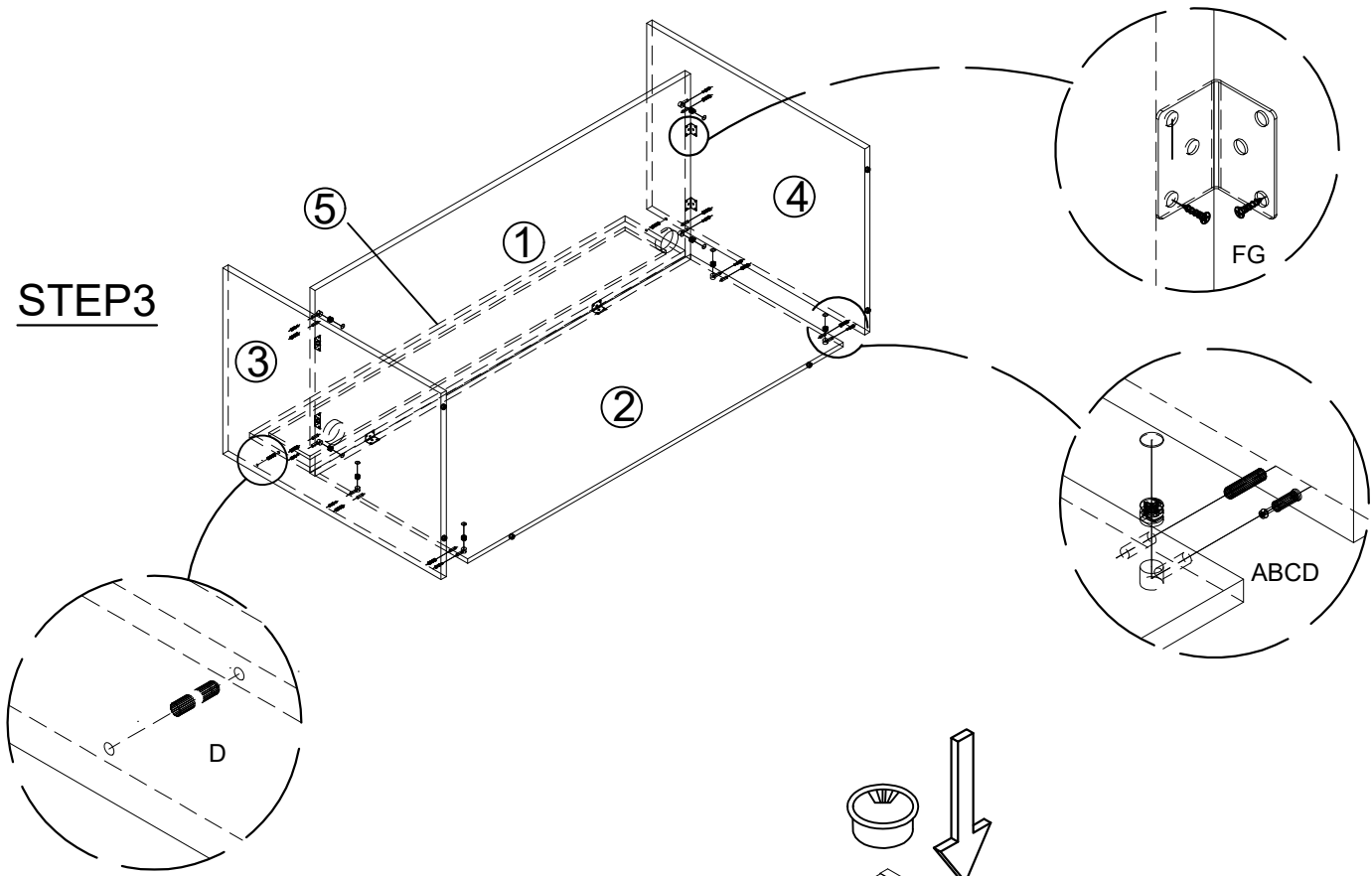


IMPORTANT NOTE:

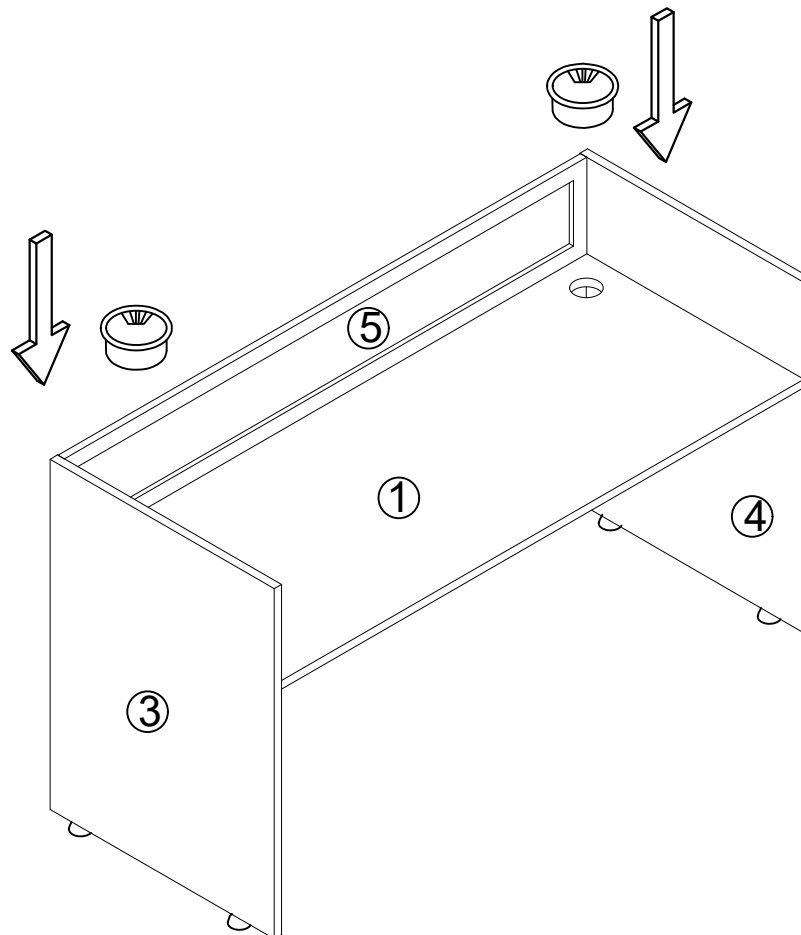
- Place all laminated parts on a clean and smooth surface such as a rug or carpet to avoid the parts from being scratched.
- Check to be sure that you have all parts and hardware.
- Remove all wrapping materials, including staples & packing straps before you start to assemble.
- Don't tighten all screws/bolts until all completely assembled.
- Keep all hardware parts out of reach of children
- If the product is not working properly, is missing a part, is damaged, or if you have any questions, please call customer service hotline before returning.
- Customer Service Hotline: 1-800-593-1888 For further assembly instructions, please visit our website at www.bosschair.com

Assembly Instructions
MODEL NO.:N369G

STEP3



STEP4

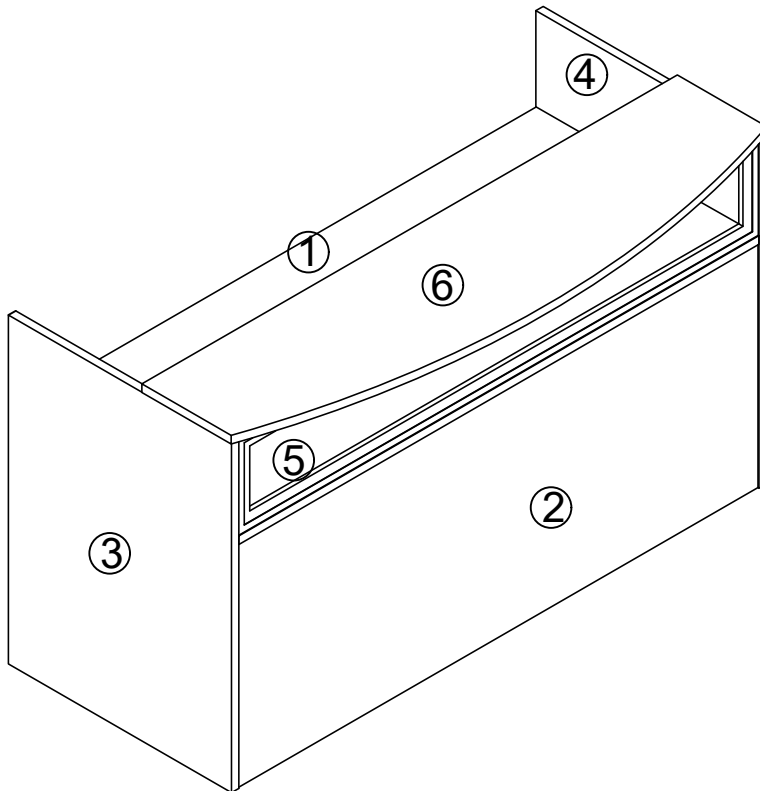
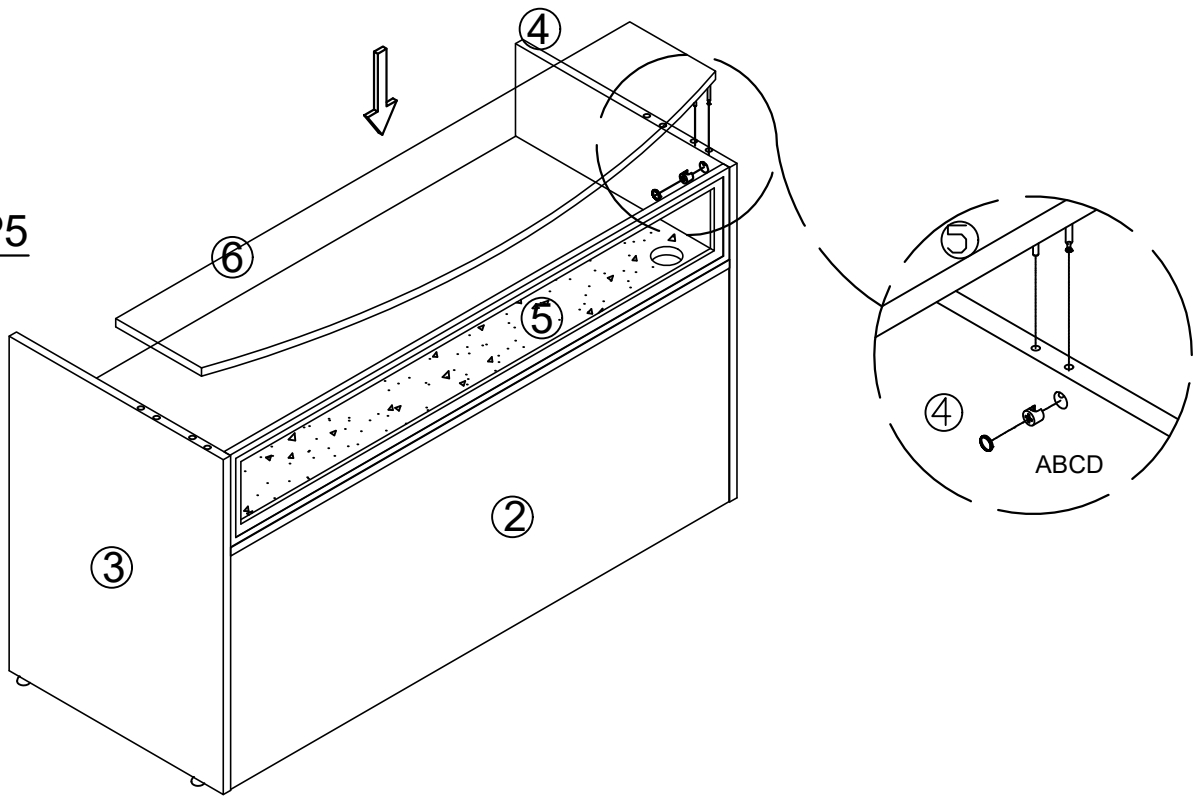


IMPORTANT NOTE:

- Place all laminated parts on a clean and smooth surface such as a rug or carpet to avoid the parts from being scratched.
- Check to be sure that you have all parts and hardware.
- Remove all wrapping materials, including staples & packing straps before you start to assemble.
- Don't tighten all screws/bolts until all completely assembled.
- Keep all hardware parts out of reach of children
- If the product is not working properly, is missing a part, is damaged, or if you have any questions, please call customer service hotline before returning.
- Customer Service Hotline: 1-800-593-1888 For further assembly instructions, please visit our website at www.bosschair.com

Assembly Instructions
MODEL NO.:N369G

STEP 5



COMPLETED ASSEMBLY

IMPORTANT NOTE:

- Place all laminated parts on a clean and smooth surface such as a rug or carpet to avoid the parts from being scratched.
- Check to be sure that you have all parts and hardware.
- Remove all wrapping materials, including staples & packing straps before you start to assemble.
- Don't tighten all screws/bolts until all completely assembled.
- Keep all hardware parts out of reach of children
- If the product is not working properly, is missing a part, is damaged, or if you have any questions, please call customer service hotline before returning.
- Customer Service Hotline: 1-800-593-1888 For further assembly instructions, please visit our website at www.bosschair.com