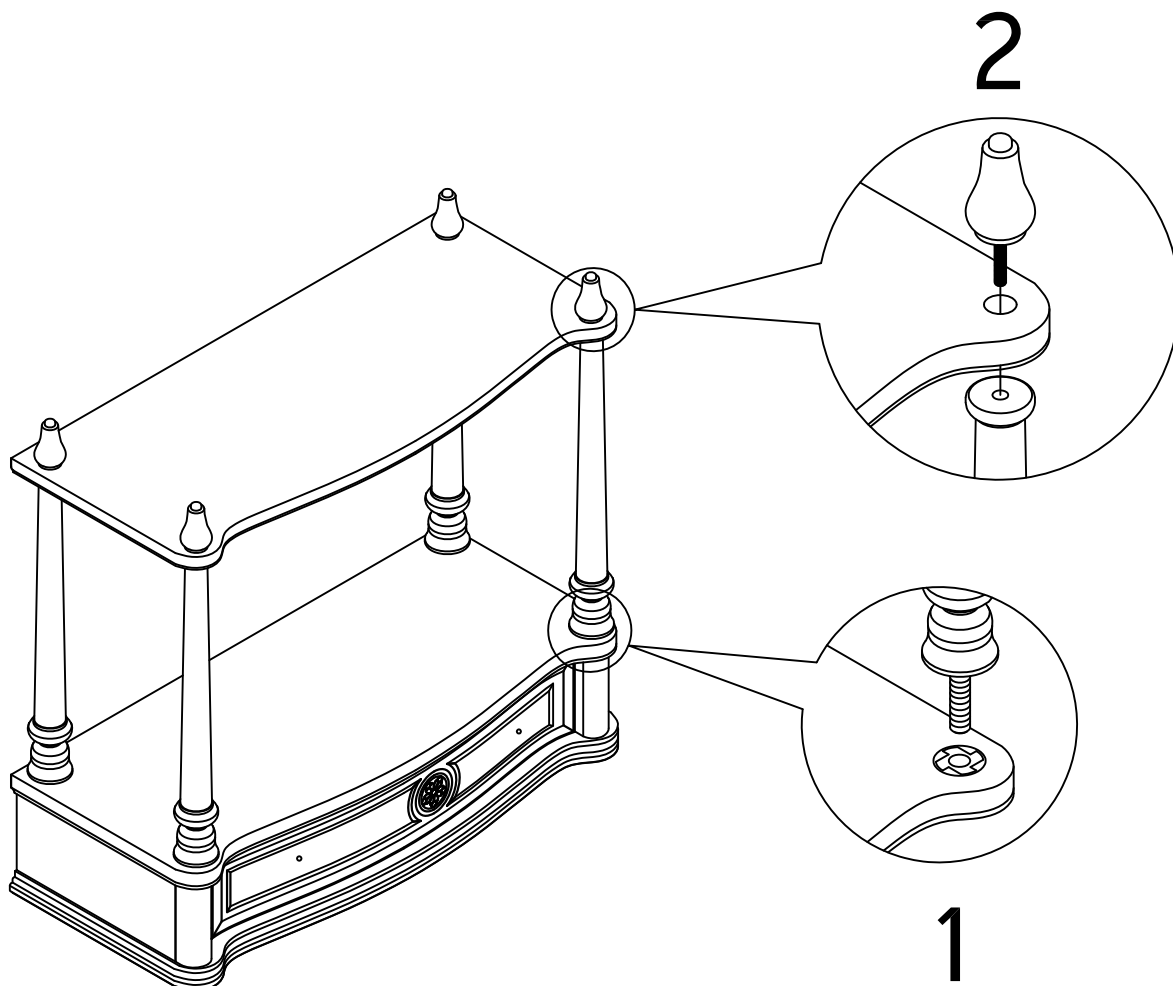
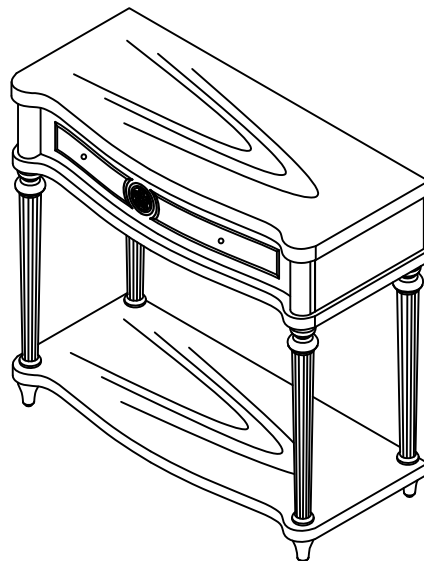


# BUTLER

SPECIALTY COMPANY  
8200 SOUTH CHICAGO AVE., CHICAGO, IL 60617

Assembly Instructions  
Style Number 2130-03



**(\*Caution:DO NOT OVERTIGHTEN**

In any correspondence regarding this product, please include the complete Butler identification number located on the underside of the product.

*We this console table will be a useful and decorative addition to your home for years to come.*

Copyright © Butler Specialty Company, 01/05