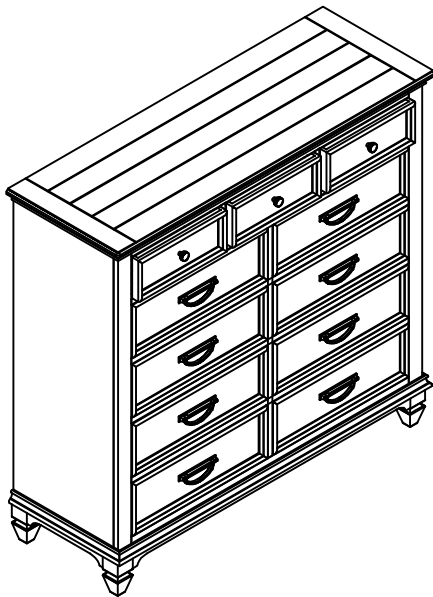




ITEM#: 417-BR32

DESCRIPTION: 11 DRAWER CHESSER

Thank you for purchasing this quality product. Be sure to check all packing material carefully for small parts, which may have come loose inside the carton during shipment. Identify and count all parts and compare with the parts list below.



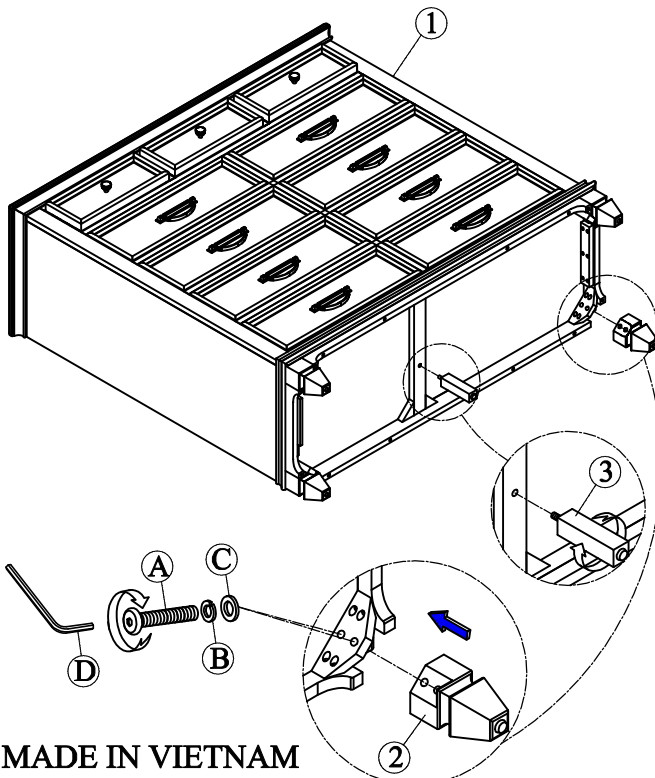
PARTS LIST

NO	DRAWING	DESCRIPTION	Q'TY
1		Chest	1
2		Leg	4
3		Support Leg	1

HARDWARE LIST

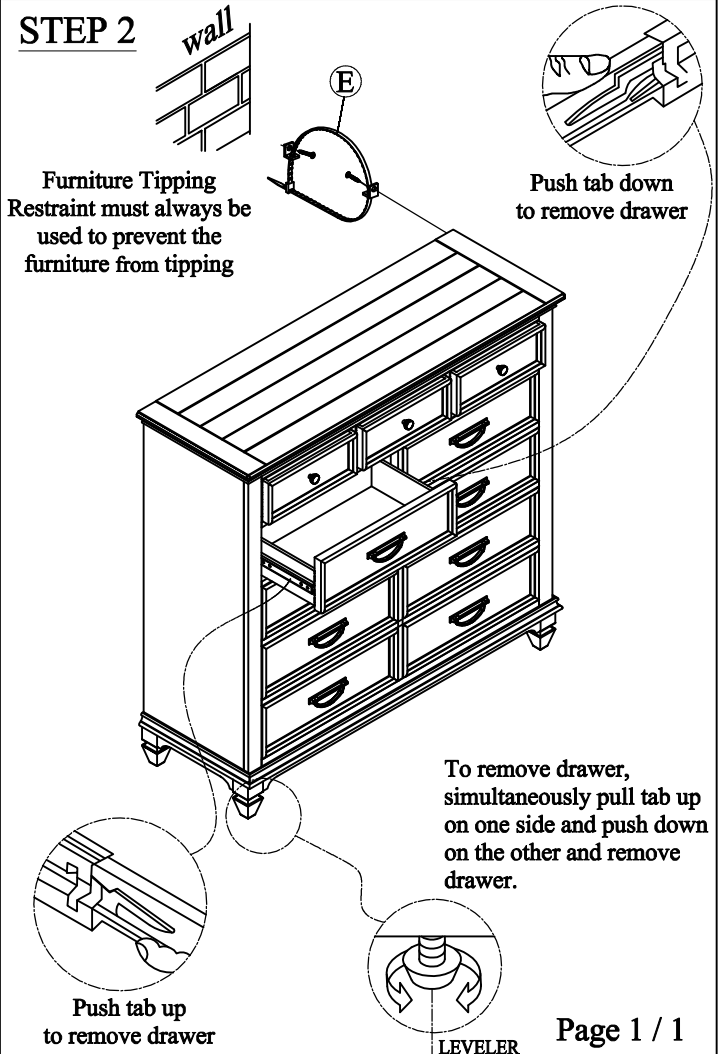
NO	DRAWING	DESCRIPTION	Q'TY
A		Bolt Ø5/16"-18*50mm(L)	8
B		Spring Washer Ø5/16"*Ø13mm	8
C		Flat Washer Ø5/16"*Ø19mm	8
D		Allen Key 4mm	1
E		Tipping Restraint	1

STEP 1



MADE IN VIETNAM

STEP 2



Furniture Tipping Restraint must always be used to prevent the furniture from tipping

Push tab down to remove drawer

Push tab up to remove drawer

To remove drawer, simultaneously pull tab up on one side and push down on the other and remove drawer.

LEVELER