



ITEM# : 805-BR41
805B-BR41

DESCRIPTION: 5 DRAWER CHEST

Thank you for purchasing this quality product. Be sure to check all packing material carefully for small parts, which may have come loose inside the carton during shipment. Identify and count all parts and compare with the parts list below.

PARTS LIST

HARDWARE LIST



| NO. | SKETCH | DESCRIPTION | Q'TY |
|-----|--------|-------------|------|
| A | | Chest | 1 |
| B | | Front Leg | 2 |
| C | | Back Leg | 2 |

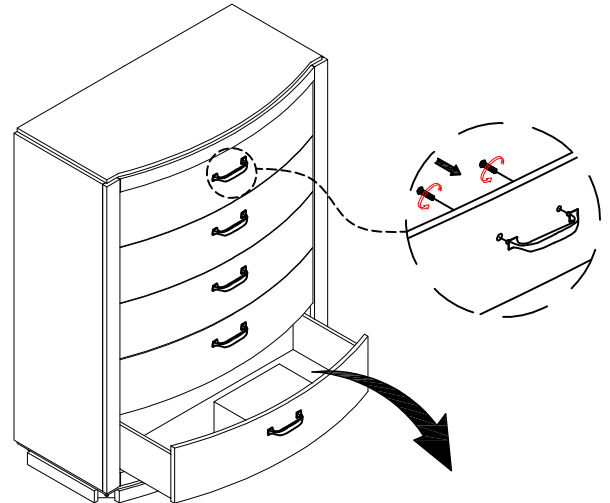
| NO. | SKETCH | DESCRIPTION | Q'TY |
|-----|--------|----------------------------|-------|
| 1 | | JCB Bolt Ø5/16"-18*50mm(L) | 8 |
| 2 | | Spring Washer Ø5/16" | 8 |
| 3 | | Flat Washer Ø5/16"x19mm | 8 |
| 4 | | Allen Key 4mm | 1 |
| 5 | | Tipping Restraint | 1 Set |

Push tab down to remove drawer

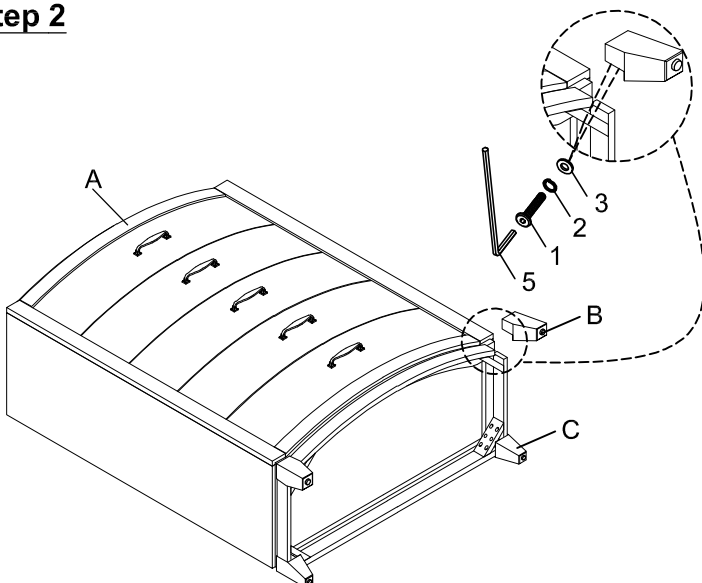
Push tab up to remove drawer

HOW TO REMOVE
To remove drawer, simultaneously pull tab up on one side and put down on the other and remove drawer.

Step 1 Pull out the drawers, remove the handle from the back to the front.



Step 2



Step 3

