

ITEM#: 805-BR31
805B-BR31

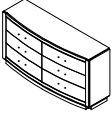

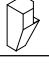
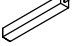
DESCRIPTION: 6 DRAWER DRESSER






Thank you for purchasing this quality product. Be sure to check all packing material carefully for small parts, which may have come loose inside the carton during shipment. Identify and count all parts and compare with the parts list below.

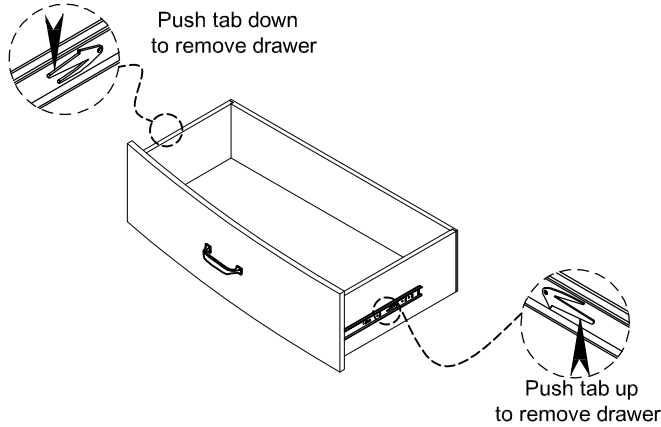
PARTS LIST

HARDWARE LIST



NO.	SKETCH	DESCRIPTION	Q'TY
A		Dresser	1
B		Front Leg	2
C		Back Leg	2
D		Support Leg	1

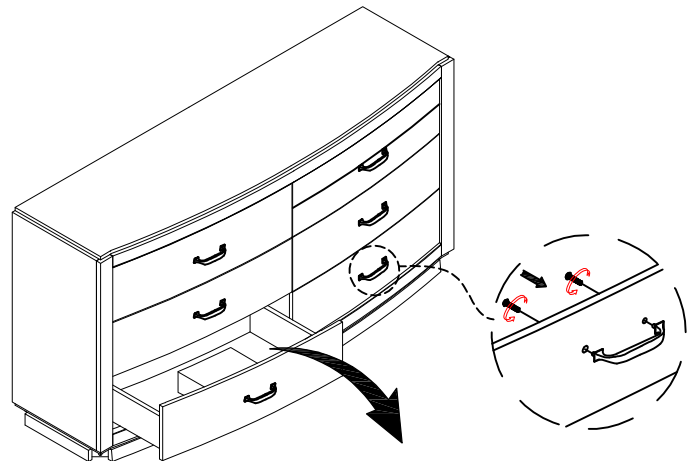
NO.	SKETCH	DESCRIPTION	Q'TY
1		JCB Bolt Ø5/16"-18*50mm(L)	8
2		Spring Washer Ø5/16"	8
3		Flat Washer Ø5/16"x19mm	8
4		Allen Key 4mm	1
5		Tipping Restraint	2 Set



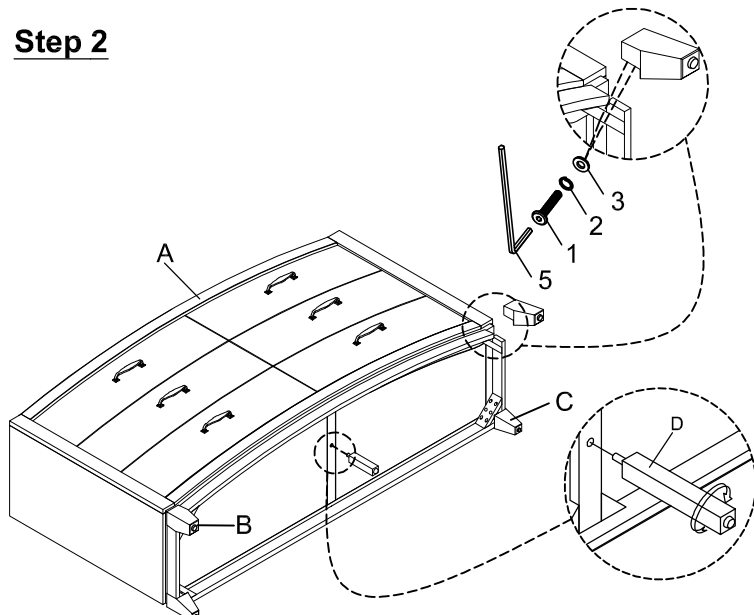
HOW TO REMOVE

To remove drawer, simultaneously pull tab up on one side and put down on the other and remove drawer.

Step 1 Pull out the drawers, remove the handle from the back to the front.



Step 2



For proper support, the center leveler must be adjusted down to touch the floor

Step 3

