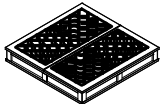



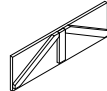

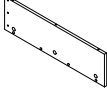

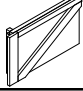

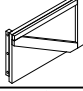


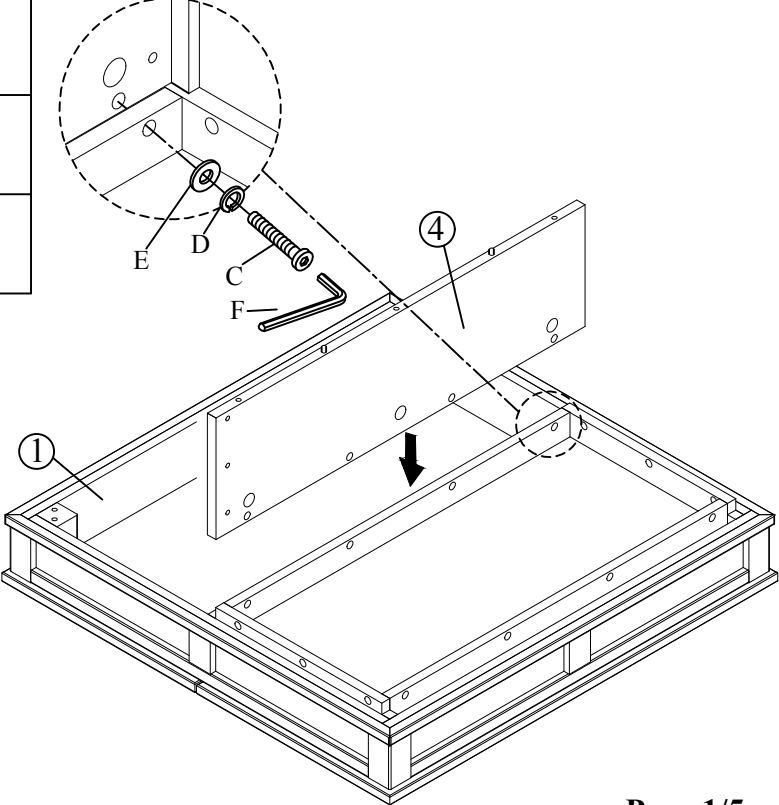

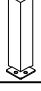
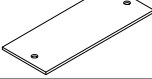
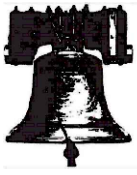


ITEM# :172-OT1010

**DESCRIPTION: SQUARE LIFT TOP COCKTAIL TABLE**

**Thank you for purchasing this quality product. Be sure to check all packing material carefully for small parts, which may have come loose inside the carton during shipment. Identify and count all parts and compare with the parts list below.**

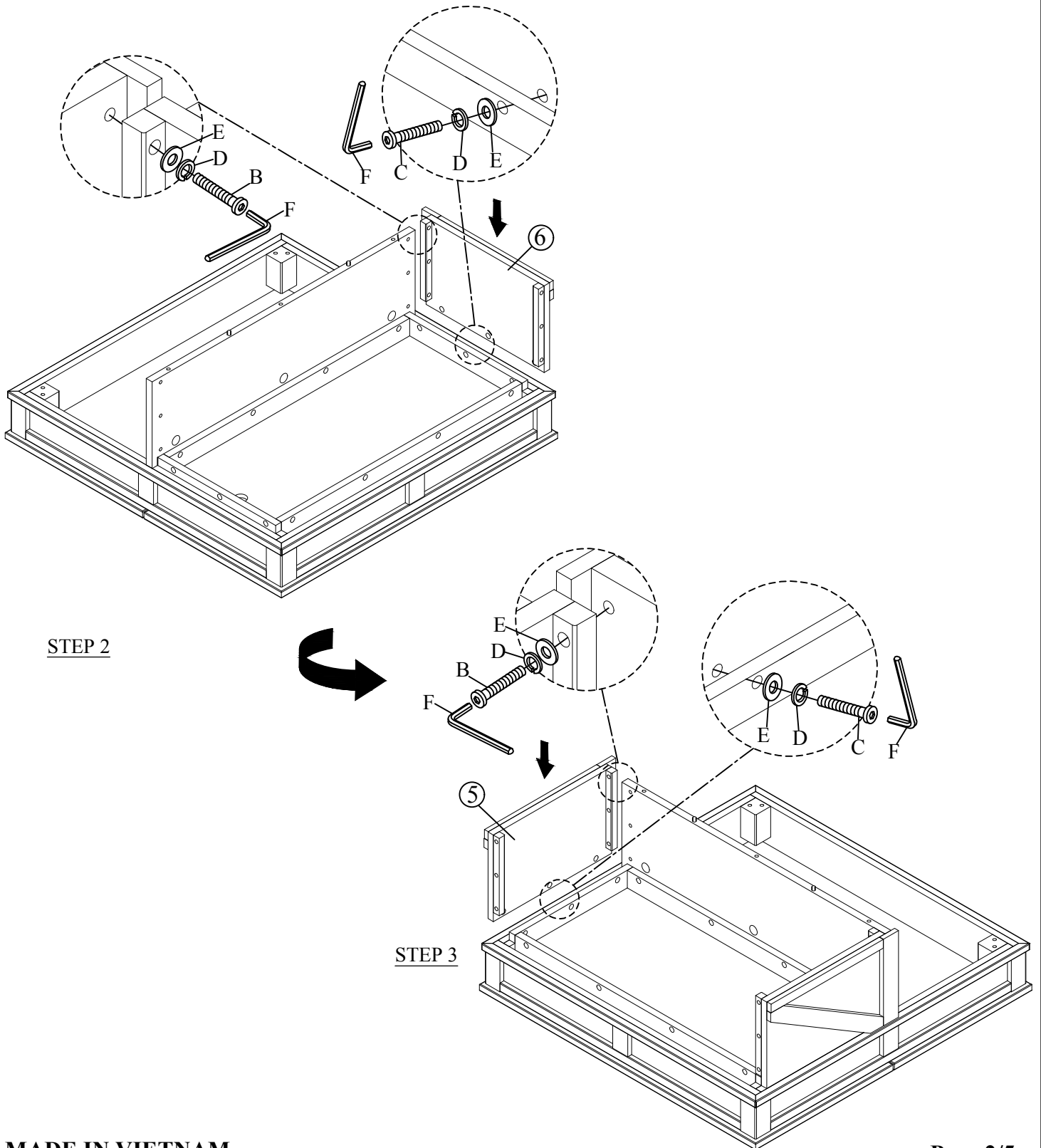
PARTS LIST				HARDWARE LIST			
NO	DRAWING	DESCRIPTION	QTY	NO	DRAWING	DESCRIPTION	QTY
1	Table Top		1	A		Bolt Ø1/4"x80mm	4
2	Bottom panel		1	B		Bolt Ø1/4"x35mm	22
3	Back Panel		1	C		Bolt Ø1/4"x25mm	18
4	Divider Panel		1	D		Spring Washer Ø1/4"xØ13mm	44
5	Left Side Panel		1	E		Flat Washer Ø1/4"xØ19mm	44
6	Right Side Panel		1	F		Allen Key 4mm	1
7	Left Back Leg		1	<b>STEP 1</b> 			
8	Right Back Leg		1				
9	Front Leg		2				
10	Removeable Shelf		1				

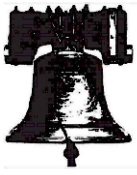


ITEM# :172-OT1010

DESCRIPTION: SQUARE LIFT TOP COCKTAIL TABLE

Thank you for purchasing this quality product. Be sure to check all packing material carefully for small parts, which may have come loose inside the carton during shipment. Identify and count all parts and compare with the parts list below.

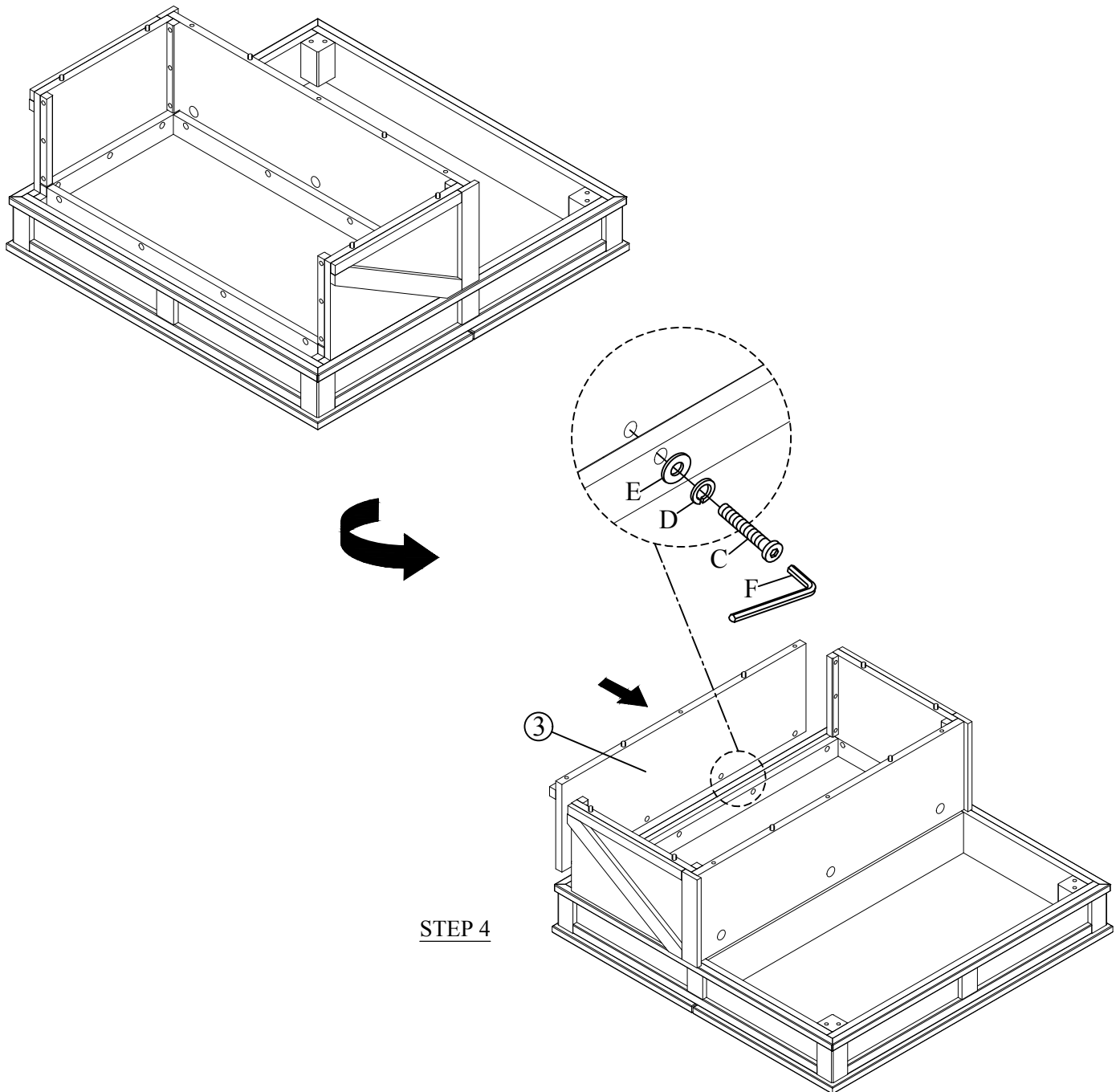




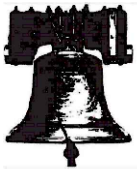
ITEM#: 172-OT1010

**DESCRIPTION: SQUARE LIFT TOP COCKTAIL TABLE**

Thank you for purchasing this quality product. Be sure to check all packing material carefully for small parts, which may have come loose inside the carton during shipment. Identify and count all parts and compare with the parts list below.



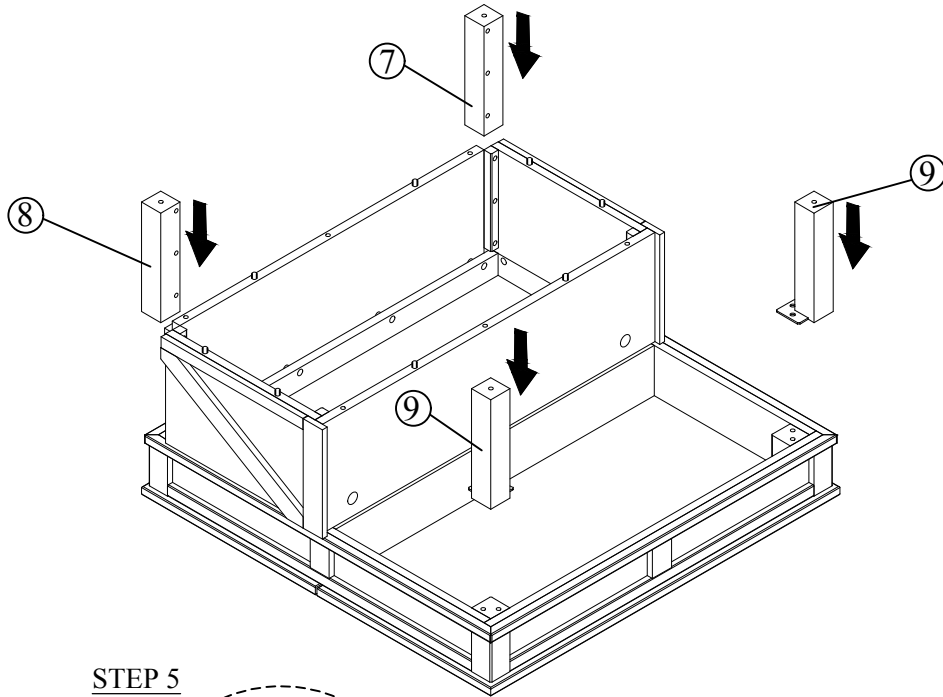
STEP 4



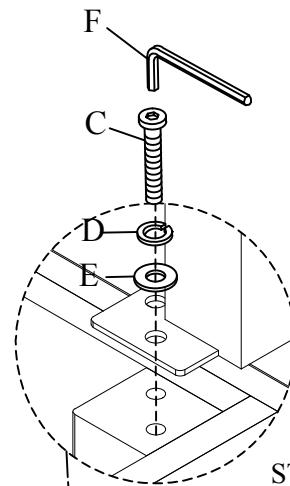
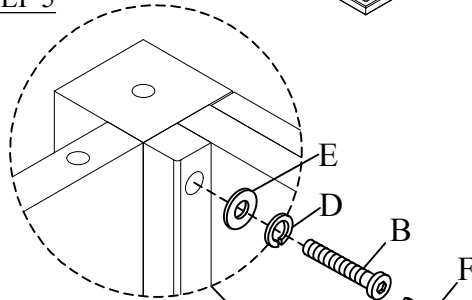
ITEM# :172-OT1010

DESCRIPTION: SQUARE LIFT TOP COCKTAIL TABLE

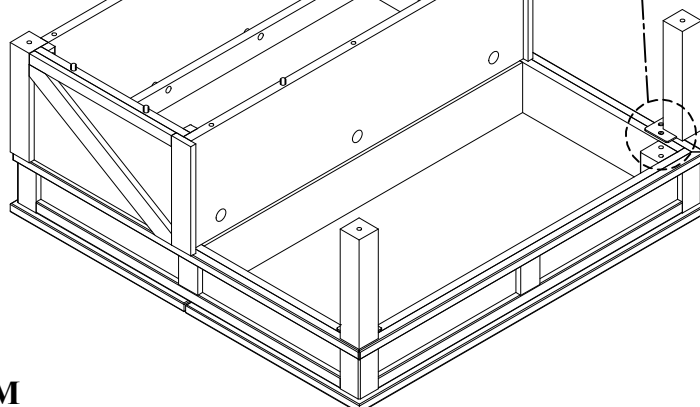
Thank you for purchasing this quality product. Be sure to check all packing material carefully for small parts, which may have come loose inside the carton during shipment. Identify and count all parts and compare with the parts list below.

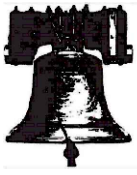


STEP 5



STEP 6

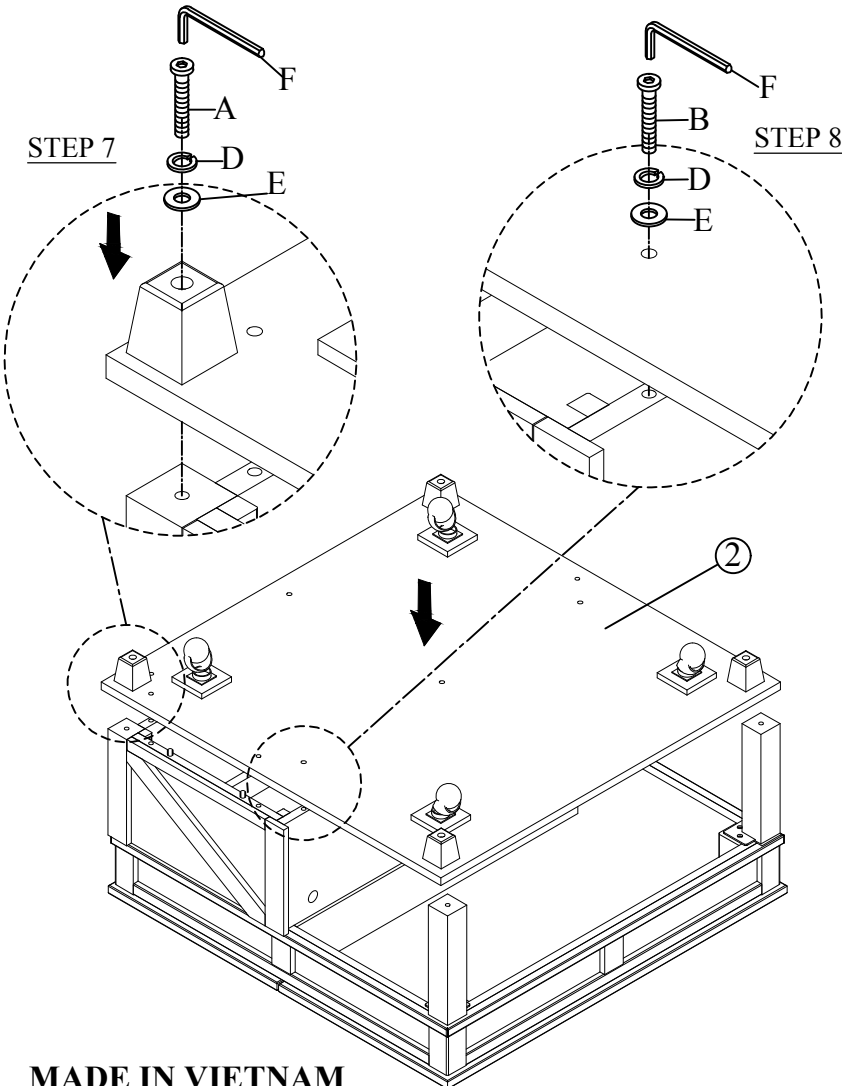
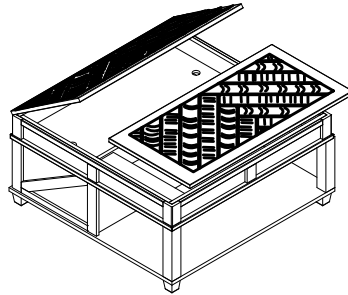




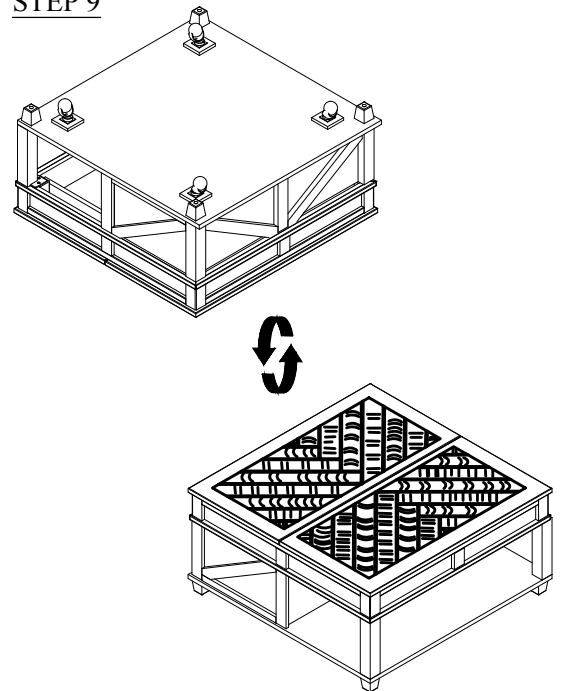
ITEM# :172-OT1010

DESCRIPTION: SQUARE LIFT TOP COCKTAIL TABLE

Thank you for purchasing this quality product. Be sure to check all packing material carefully for small parts, which may have come loose inside the carton during shipment. Identify and count all parts and compare with the parts list below.



**STEP 9**



**STEP 10**

