

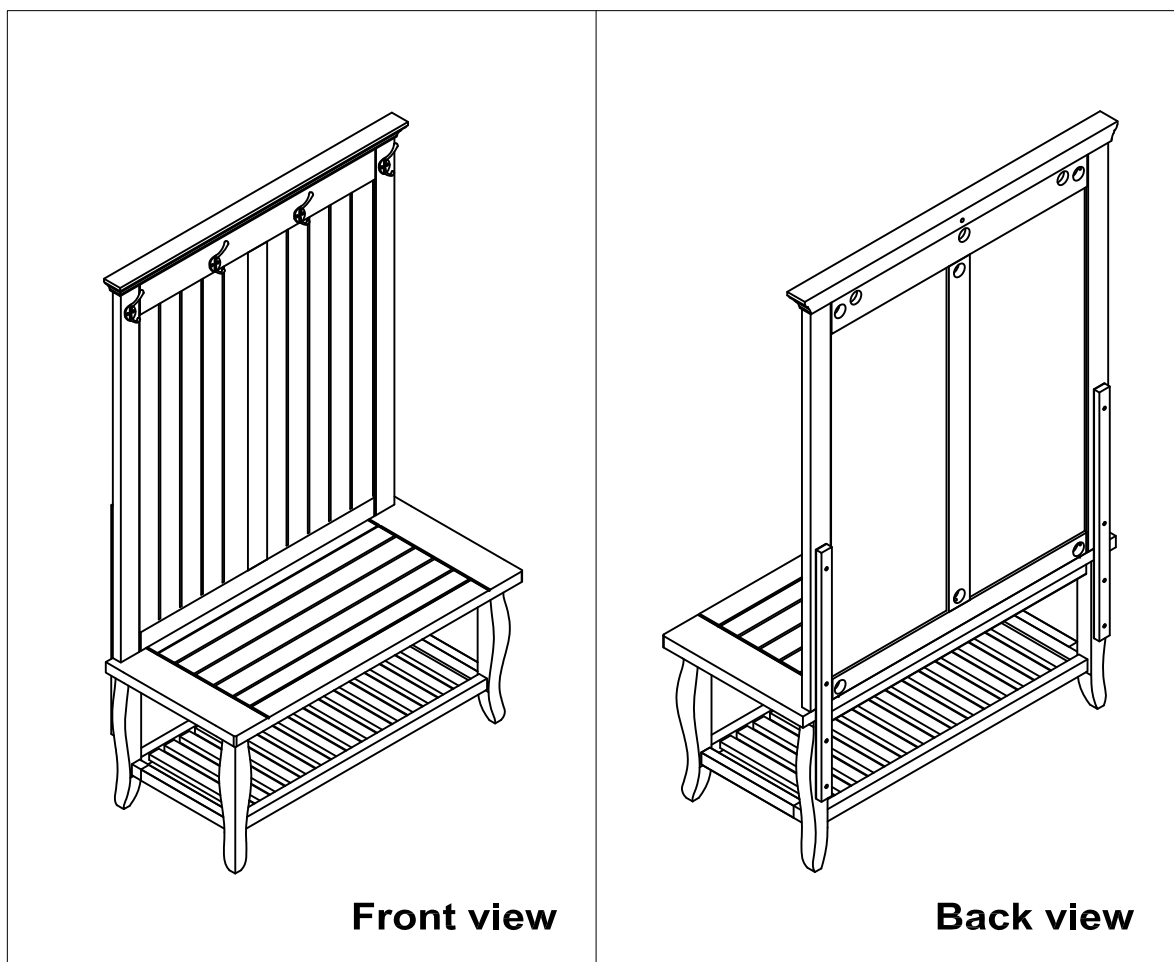


**LINON HOME DECOR PRODUCTS, INC.**

# **ASSEMBLY INSTRUCTIONS**

**RIO GRAND HALL TREE**

**# 76063ANT01U**



## **We are here to help!**

We do our best to insure that your furniture arrives in excellent condition. In the event that a part is damaged or missing, Linon Home Decor will be happy to provide you with replacement parts, at no charge, within 30 days of purchase, providing the parts are available in our warehouse and the item purchased is part of our current inventory. In order to receive spare parts, at no charge, you must provide proof of purchase within 30 days.

If you need assistance with assembly or replacement parts, please call Linon Customer Service, prior to returning the item to the store.

Our office is open Monday – Friday 9AM – 5PM, Eastern Standard Time.

Our toll free customer service number is: 1-800-262-1852.

Or visit our web site [www.Linon.com](http://www.Linon.com) to order spare parts and for care instructions on your newly purchased furniture.

MADE IN CHINA

FOR LINON HOME DECOR PRODUCTS INC BY

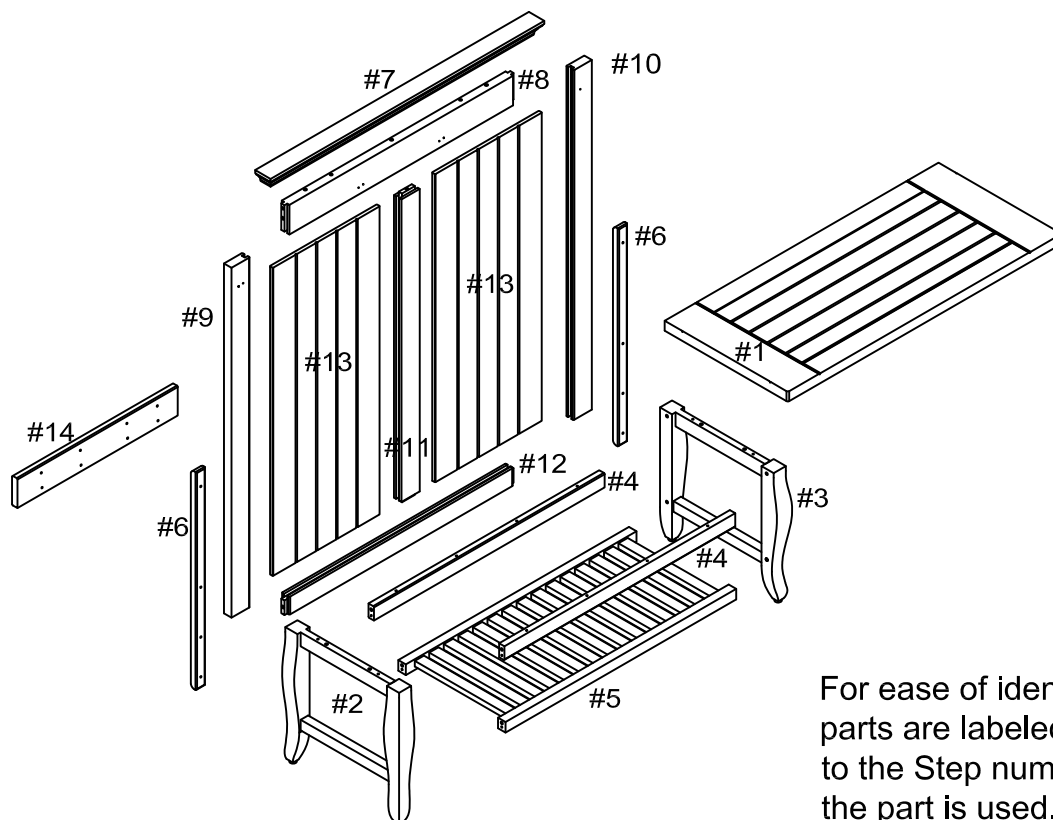
**CH46**



# LINON HOME DECOR PRODUCTS, INC.

## PARTS IDENTIFICATION

ITEM	DESCRIPTION	QTY
#1	TOP PANEL	01
#2	LEFT SIDE	01
#3	RIGHT SIDE	01
#4	RAIL	02
#5	BOTTOM FRAME	01
#6	SUPPORT	02
#7	UPPER PANEL	01
#8	UPPER CROSS BAR	01
#9	LEFT POST	01
#10	RIGHT POST	01
#11	MIDDLE POST	01
#12	BOTTOM CROSS BAR	01
#13	BACK PANEL	02
#14	BACK POST	01



For ease of identification all parts are labeled to correspond to the Step number in which the part is used.

If any parts are missing or damaged in this package, Linon Home Decor will be happy to provide you with replacement parts, at no charge, within 30 days of purchase, providing the parts are available in our warehouse and the item purchased is part of our current inventory. In order to receive spare parts, at no charge, you must provide proof of purchase within 30 days.



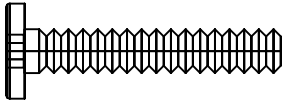

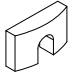
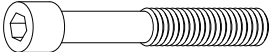



Call us toll free at 1-800-262-1852. Or visit our web site [www.Linon.com](http://www.Linon.com) to order spare parts and for care instructions on your newly purchased furniture.



# LINON HOME DECOR PRODUCTS, INC.

## HARDWARE IDENTIFICATION

Please line up the hardware with the correct full size image to make sure you are installing the hardware correctly.

ITEM	PICTURE		DESCRIPTION	QTY
A		(Ø8x30mm) Full Size	WOOD DOWEL	20
B		(Ø4x35mm) Full Size	SCREW	20
C		(Ø6x35mm) Full Size	SCREW	16
D		Not to Scale	ALLEN WRENCH	01
E		Not to Scale	METAL BAR	09
F		Not to Scale	BOLT	09
G		Not to Scale	SCREW	04
H		Not to Scale	SCREW	08
I		Not to Scale	SCREW	01

If any parts are missing or damaged in this package, Linon Home Decor will be happy to provide you with replacement parts, at no charge, within 30 days of purchase, providing the parts are available in our warehouse and the item purchased is part of our current inventory. In order to receive spare parts, at no charge, you must provide proof of purchase within 30 days.


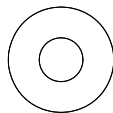
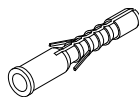
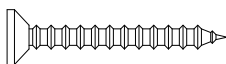
Call us toll free at 1-800-262-1852. Or visit our web site [www.Linon.com](http://www.Linon.com) to order spare parts and for care instructions on your newly purchased furniture.

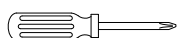


**LINON HOME DECOR PRODUCTS, INC.**

## **HARDWARE IDENTIFICATION**

Please line up the hardware with the correct full size image to make sure you are installing the hardware correctly.

ITEM	PICTURE		DESCRIPTION	QTY
J		Not to Scale	STRAP	01
K		(Ø8x30mm) Full Size	FLAT WASHER	02
L		Not to Scale	WALL ANCHOR	01
M		(Ø3.5x30mm) Full Size	SCREW	01



Short screwdriver

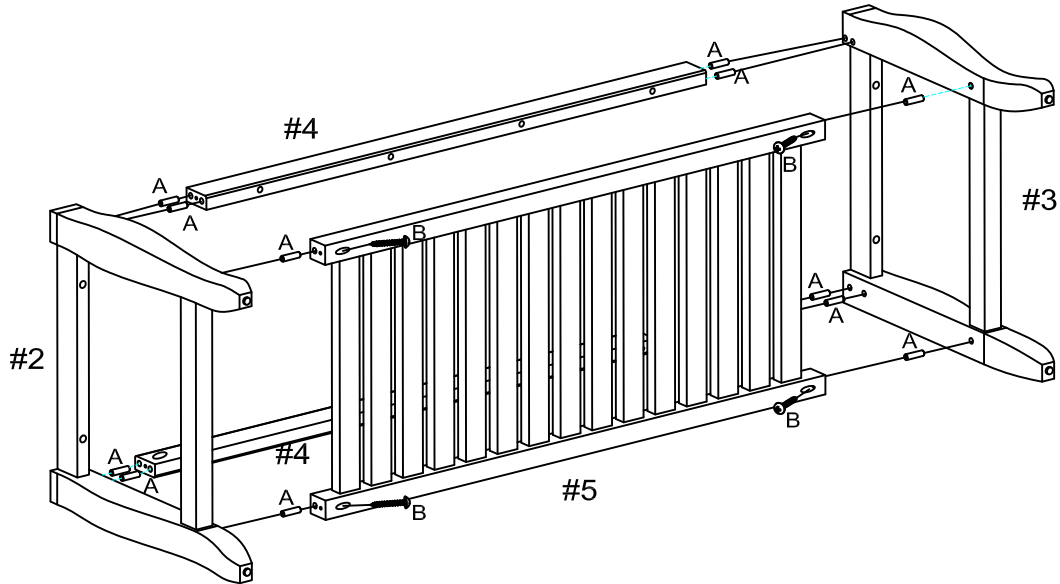
If any parts are missing or damaged in this package, Linon Home Decor will be happy to provide you with replacement parts, at no charge, within 30 days of purchase, providing the parts are available in our warehouse and the item purchased is part of our current inventory. In order to receive spare parts, at no charge, you must provide proof of purchase within 30 days.

Call us toll free at 1-800-262-1852. Or visit our web site [www.Linon.com](http://www.Linon.com) to order spare parts and for care instructions on your newly purchased furniture.

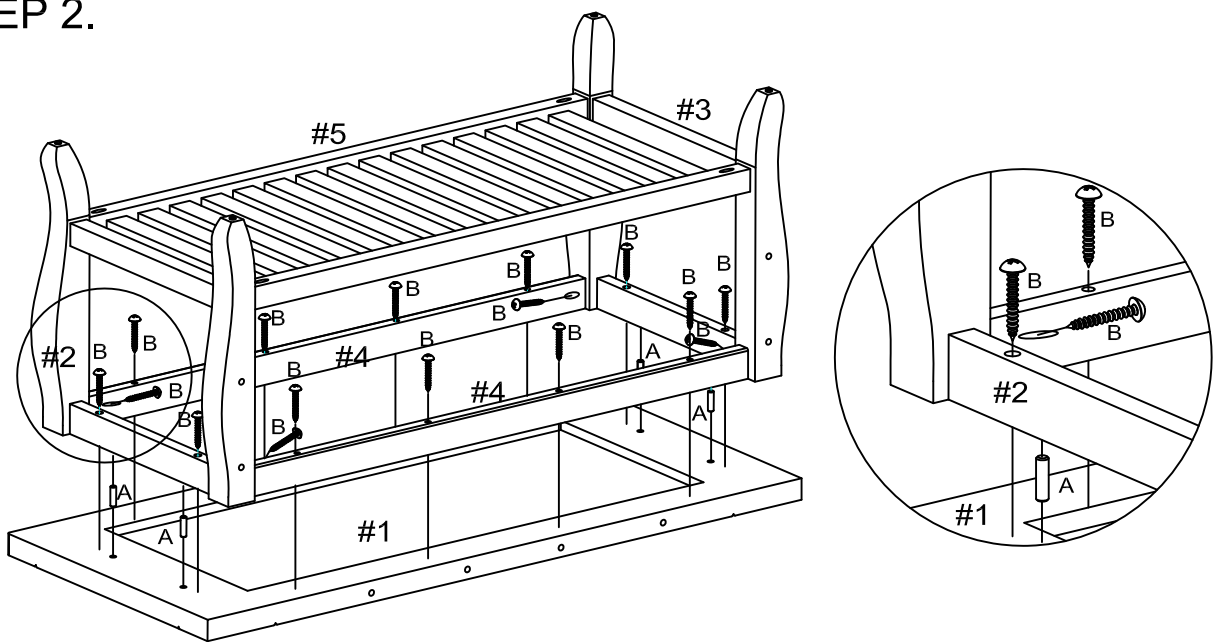


# LINON HOME DECOR PRODUCTS, INC.

## STEP 1.



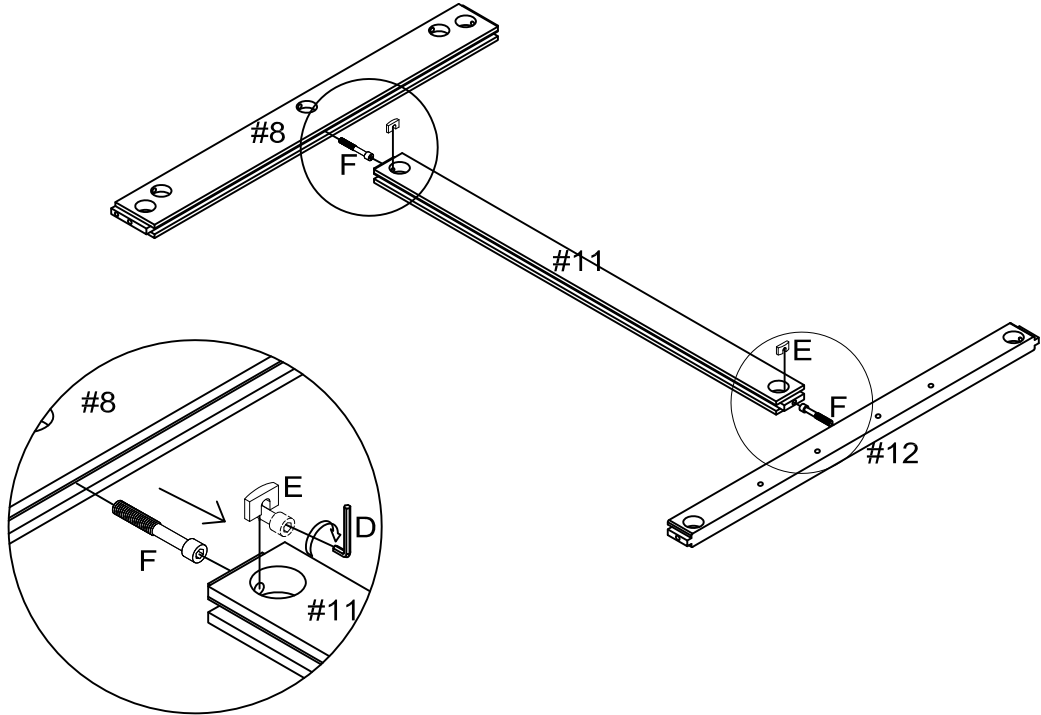
## STEP 2.



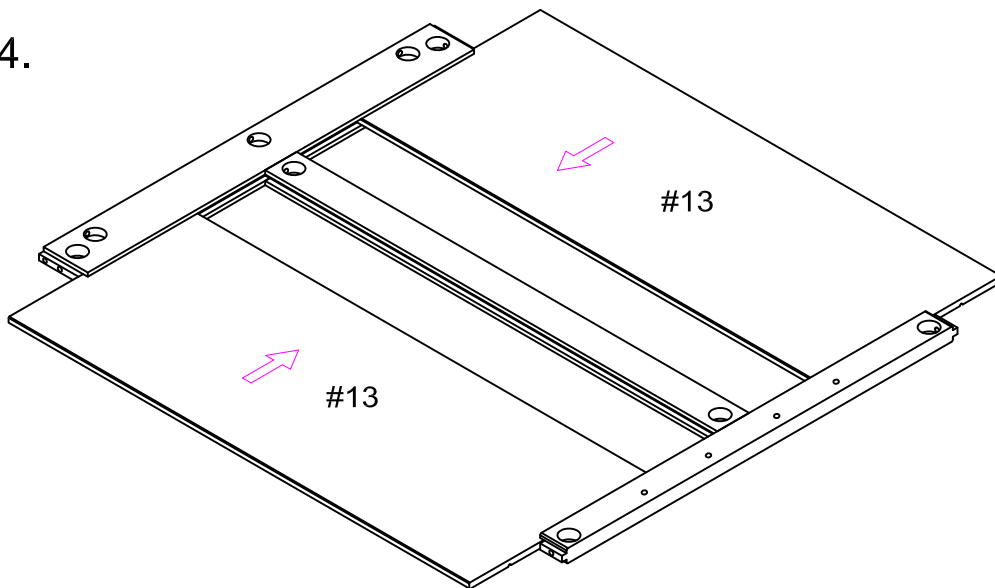


# LINON HOME DECOR PRODUCTS, INC.

## STEP 3.



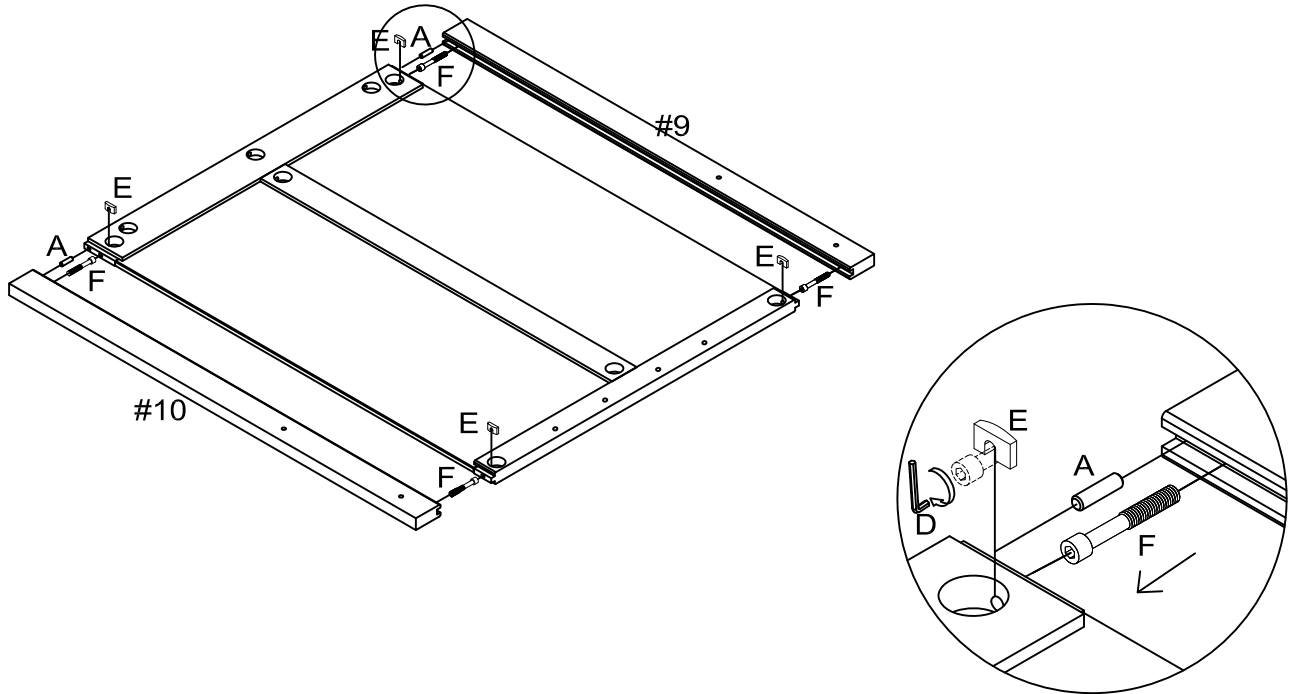
## STEP 4.



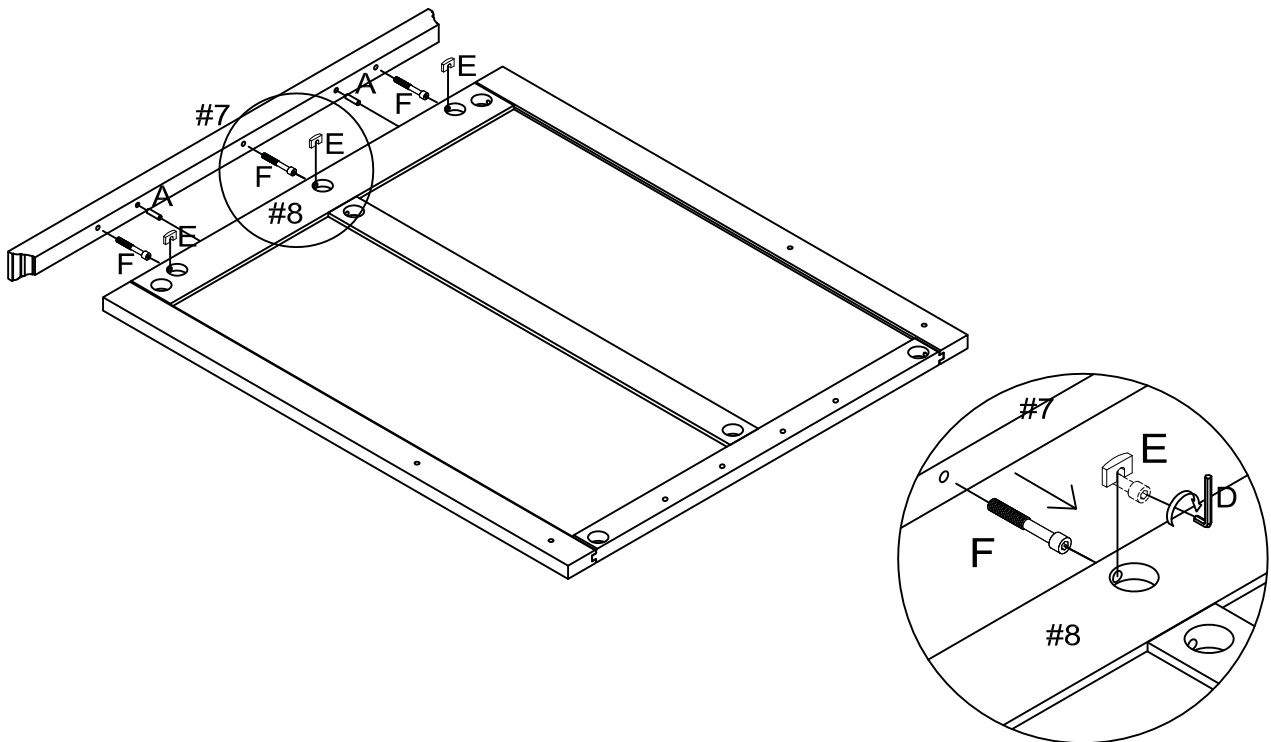


# LINON HOME DECOR PRODUCTS, INC.

## STEP 5.



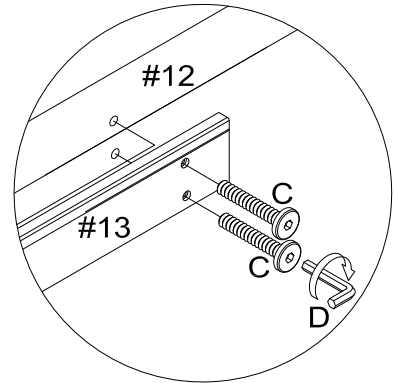
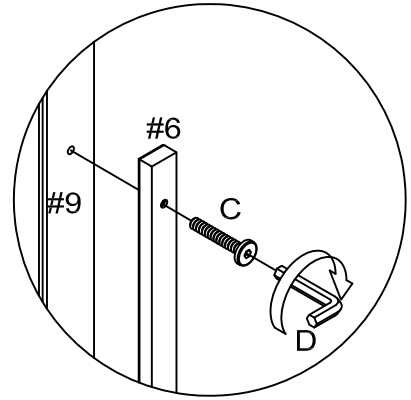
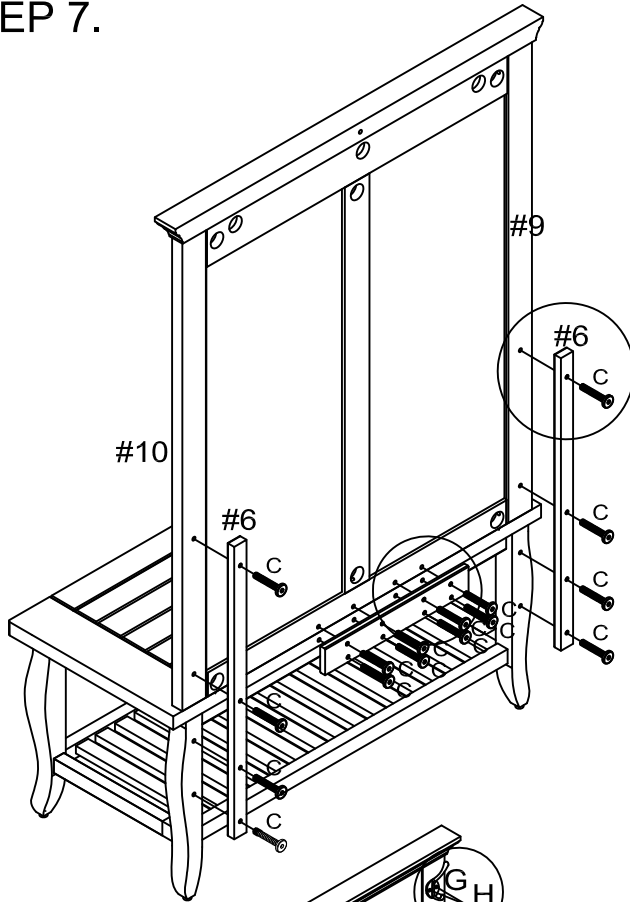
## STEP 6.



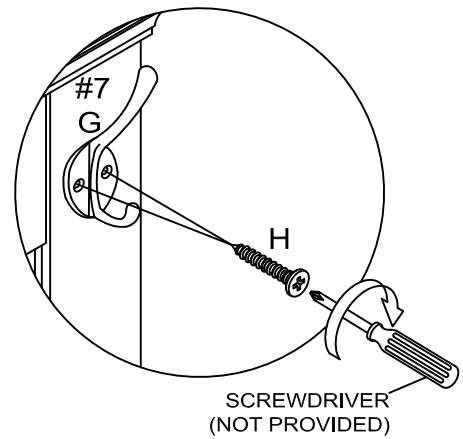
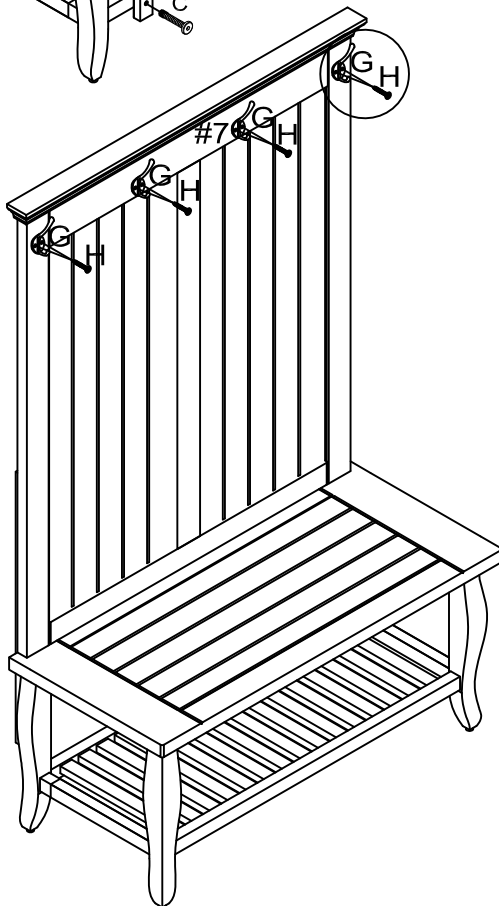


# LINON HOME DECOR PRODUCTS, INC.

## STEP 7.



## STEP 8.

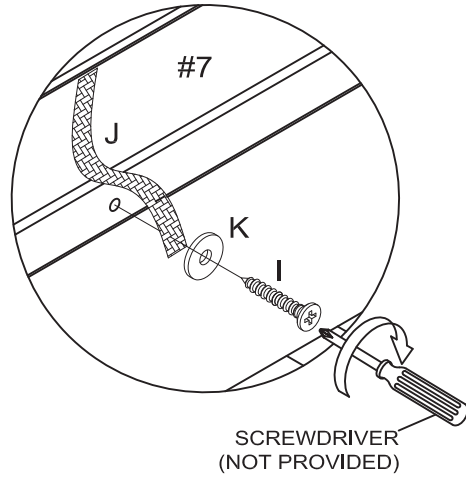
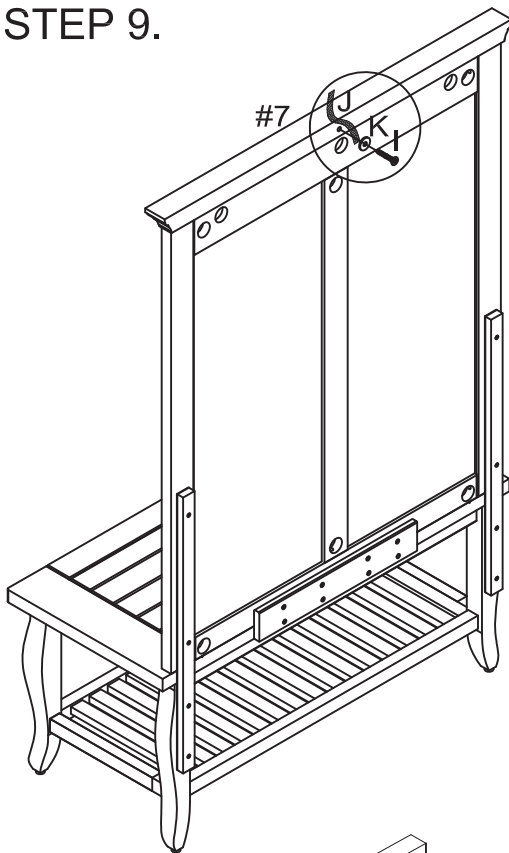




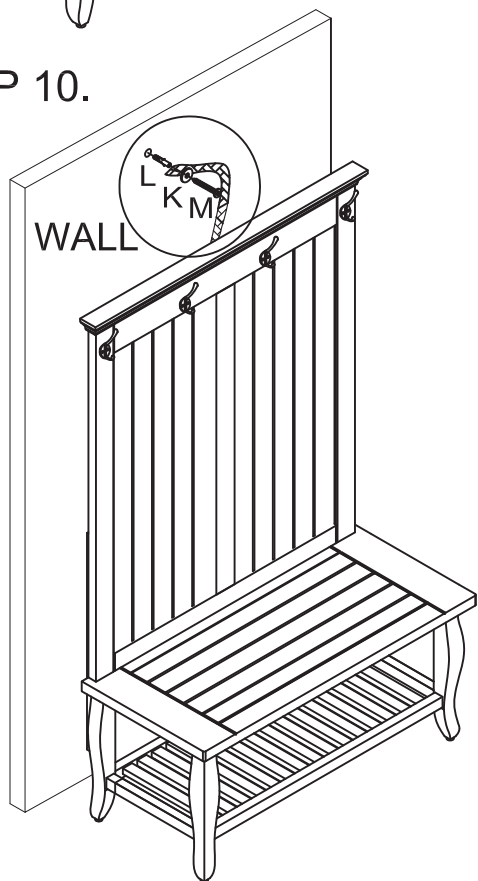


LINON HOME DECOR PRODUCTS, INC.

STEP 9.



STEP 10.



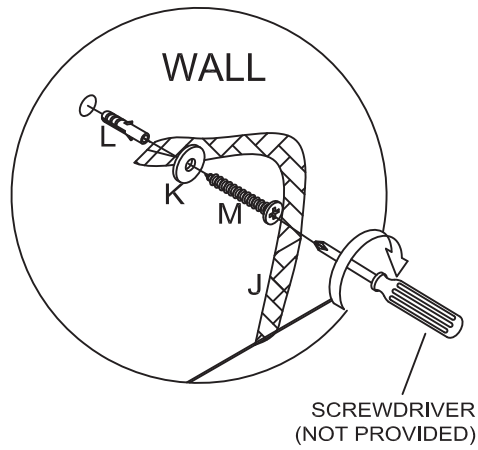
**! WARNING**

Serious or fatal crushing injuries can occur from furniture tip-over. To help prevent tip-over:

- Place heaviest items in the lowest drawers.
- Unless specifically designed to accommodate, do not set TVs or other heavy objects on the top of this product.
- Never allow children to climb or hang on drawers, doors, or shelves.
- Do not defeat or remove the drawer interlock system.

Use of tip-over restraints may only reduce, but not eliminate, the risk of tip-over.

*This is a permanent label. Do not attempt to remove!*





## **LIMITED 6 MONTHS WARRANTY**

### **WHAT IS COVERED**

This product is covered under our manufacturer's 6 months limited warranty (Linon Home Décor Products). To ensure your complete satisfaction, this warrants to the original purchaser that the Linon supplied item is free from defects in material and workmanship, as of the date of purchase, and that it will, under normal use and proper care, remain so for six months after the date of purchase.

Replacement of missing or initially defective parts will be sent, at no charge, for a period of 30 days from the date of purchase with valid proof of purchase providing the parts are available in our warehouse and the item purchased is part of our current inventory.

### **WHAT IS NOT COVERED**

It remains the customer's responsibility for freight and packaging charges to and from the customer service center. Labor and material charges to remove or replace parts under this warranty are not covered.

This warranty does not cover: Furniture used for commercial purposes, failures caused by improper installation assembly or by improper care, unreasonable or abusive use, freeze damage, acts of God, rust, purchased parts or return freight and packaging charges. Proof of purchase (dated register receipt) is required for warranty claims.

### **HOW TO OBTAIN SERVICE**

For further information, please contact our customer service department, c/o Linon Home Décor Products, Inc., between 9:00 AM and 5:00 PM Eastern Standard Time, Monday through Friday:

LINON HOME DÉCOR PRODUCTS, INC.,  
CUSTOMER SERVICE DEPARTMENT

- 1) Email address: [consumersupport@linon.com](mailto:consumersupport@linon.com)
- 2) Toll free number : 1 - 800 - 262 - 1852
- 3) Visit our web site [www.Linon.com](http://www.Linon.com) to order spare parts and for care instructions on your newly purchased furniture.