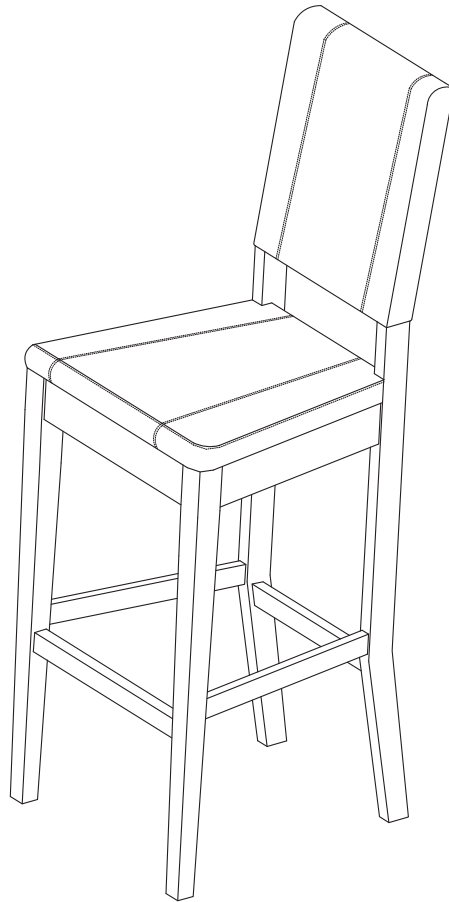




LINON HOME DECOR PRODUCTS, INC.

**MILANO BAR STOOL CREAM
TABOURET DE BAR MILANO, COULEUR CRÈME
TABURETE DE BAR MILANO, COLOR CREMA**

0211CRM01U



We are here to help !

We do our best to insure that your furniture arrives in excellent condition. In the event that a part is damaged or missing, Linon Home Decor will be happy to provide you with replacement parts, at no charge, within 30 days of purchase, providing the parts are available in our warehouse and the item purchased is part of our current inventory. In order to receive spare parts, at no charge, you must provide proof of purchase within 30 days.

If you need assistance with assembly or replacement parts, please call Linon Customer Service, prior to returning the item to the store.

Our office is open Monday- Friday 9AM-5PM, Eastern Standard Time.

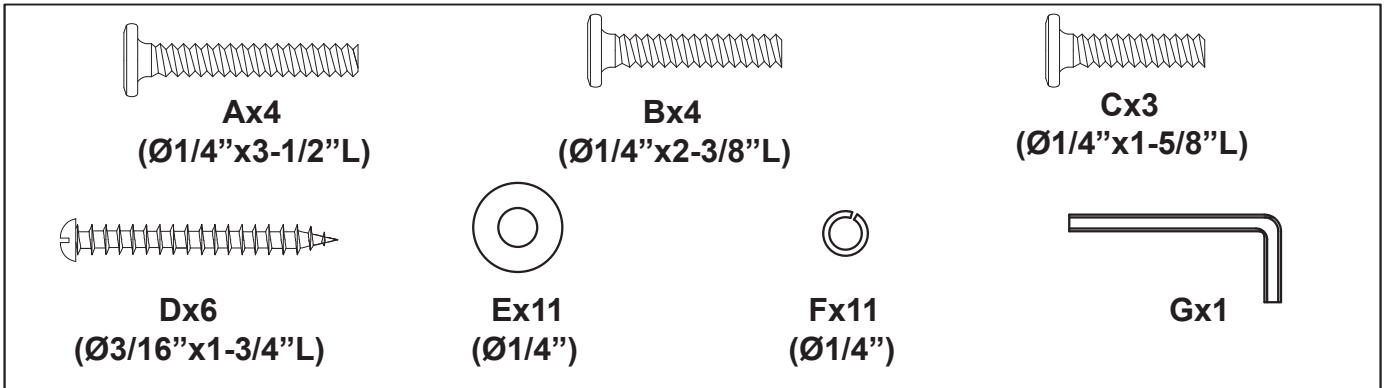
Our toll free customer service number is: 1-800-262-1852.

Or visit our web site WWW.LINON.COM to order spare parts and for care instructions on your newly purchased furniture.



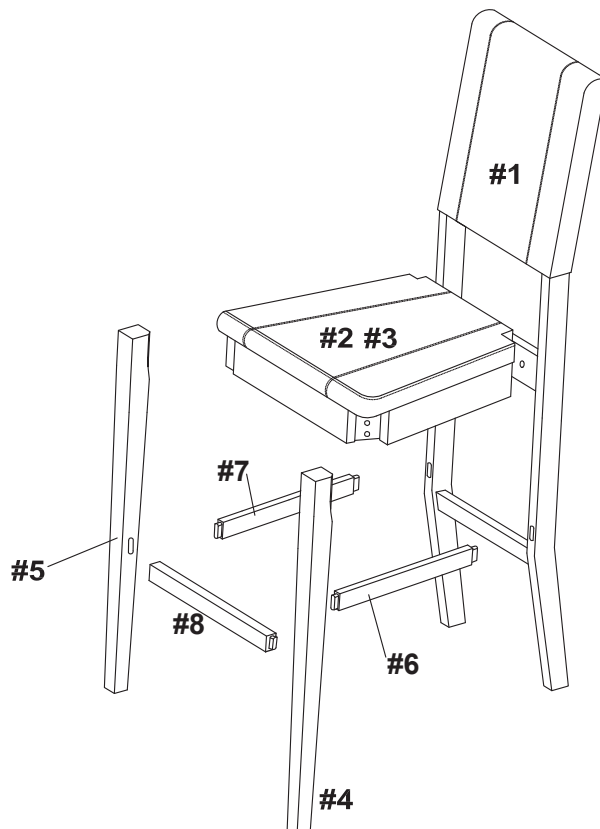
PARTS IDENTIFICATION

HARDWARE IDENTIFICATION:



PART IDENTIFICATION:

PARTS	DESCRIPTION	QTY
#1	BACK ASSEMBLY	01
#2 - #3	SEAT ASSEMBLY	01
#4	FRONT LEG-RIGHT	01
#5	FRONT LEG-LEFT	01
#6	RIGHT SIDE STRETCHER	01
#7	LEFT SIDE STRETCHER	01
#8	FRONT STRETCHER	01





IMPORTANT -Do not tighten bolts completely until all bolts are completely lined up and inserted into holes/nuts.

-Do not overtighten bolts to avoid stripping.

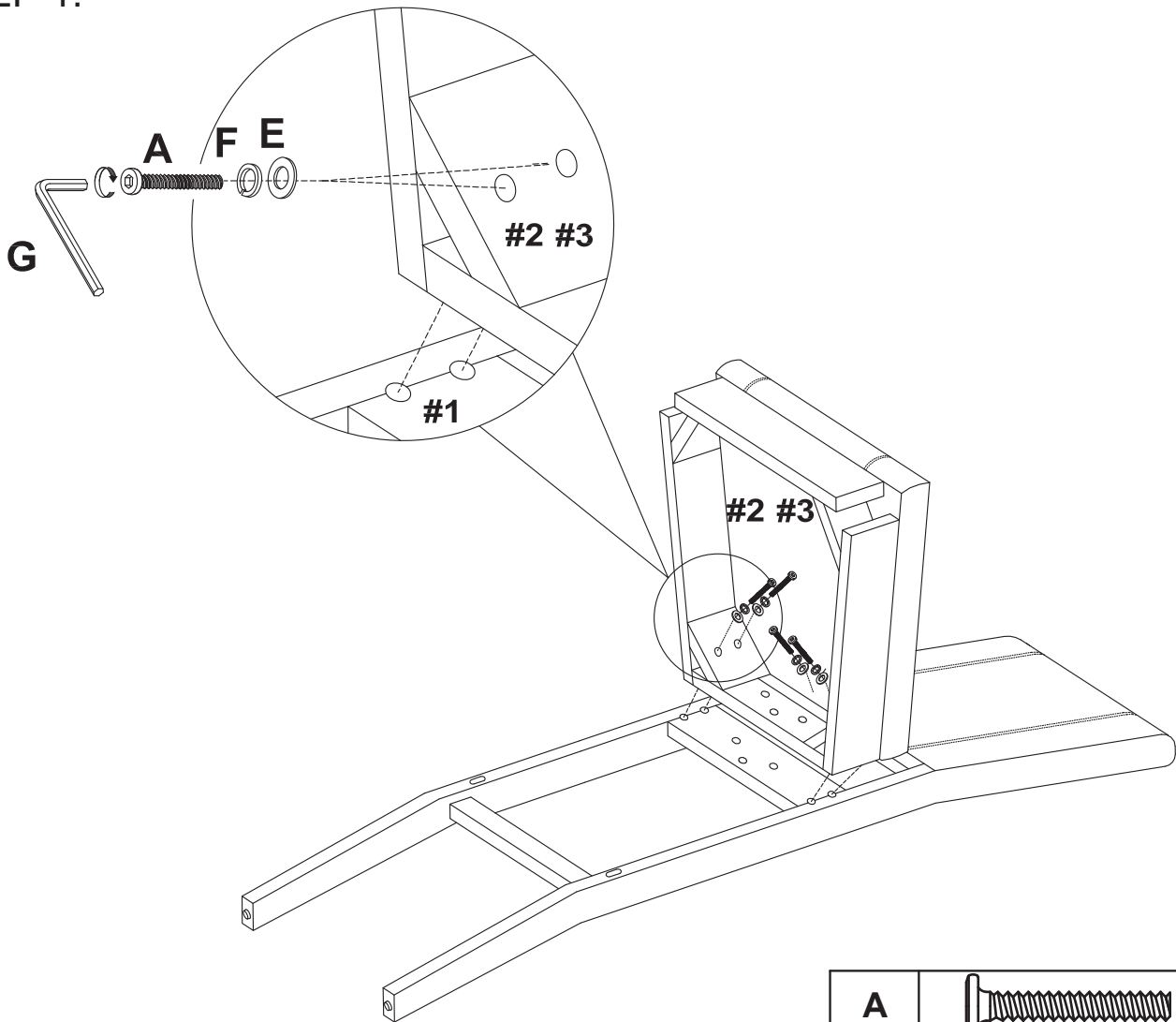
IMPORTANT -Ne serrez pas complètement les boulons jusqu'à ce qu'ils soient bien alignés et insérés dans les trous et les écrous.





-Ne serrez pas excessivement les boulons pour éviter d'érafler la surface.

IMPORTANT -No apriete completamente los pernos hasta que estén bien alineados e insertados en los orificios y las tuercas.

-No apriete exageradamente los pernos para evitar dañar el recubrimiento.

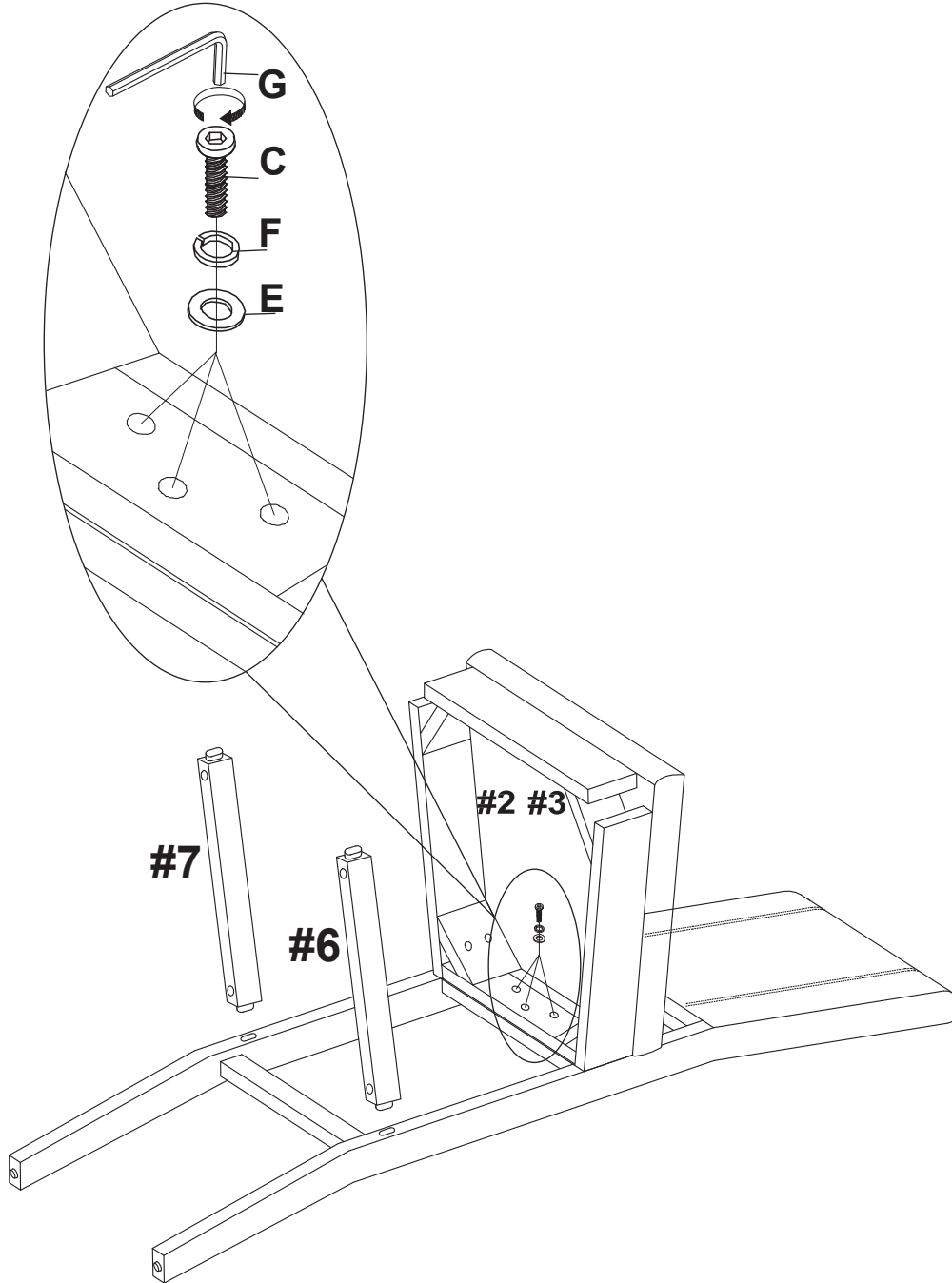
STEP 1.







A		04
E		04
F		04
G		01



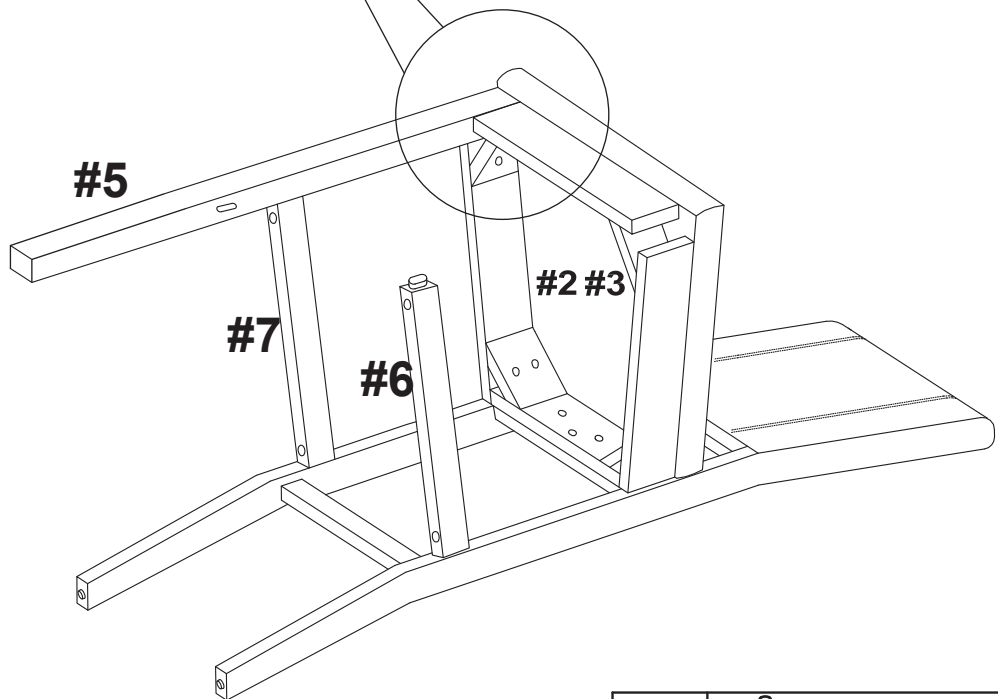
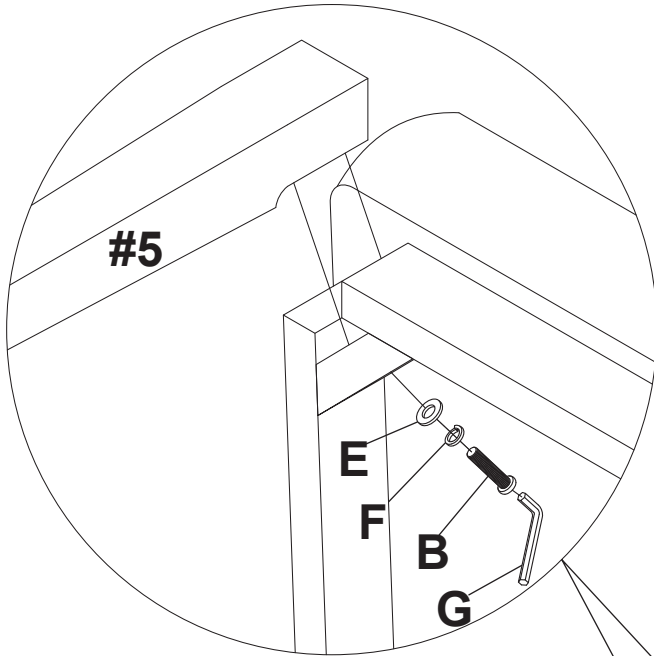
STEP 2.




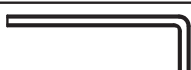


C		03
E		03
F		03
G		01



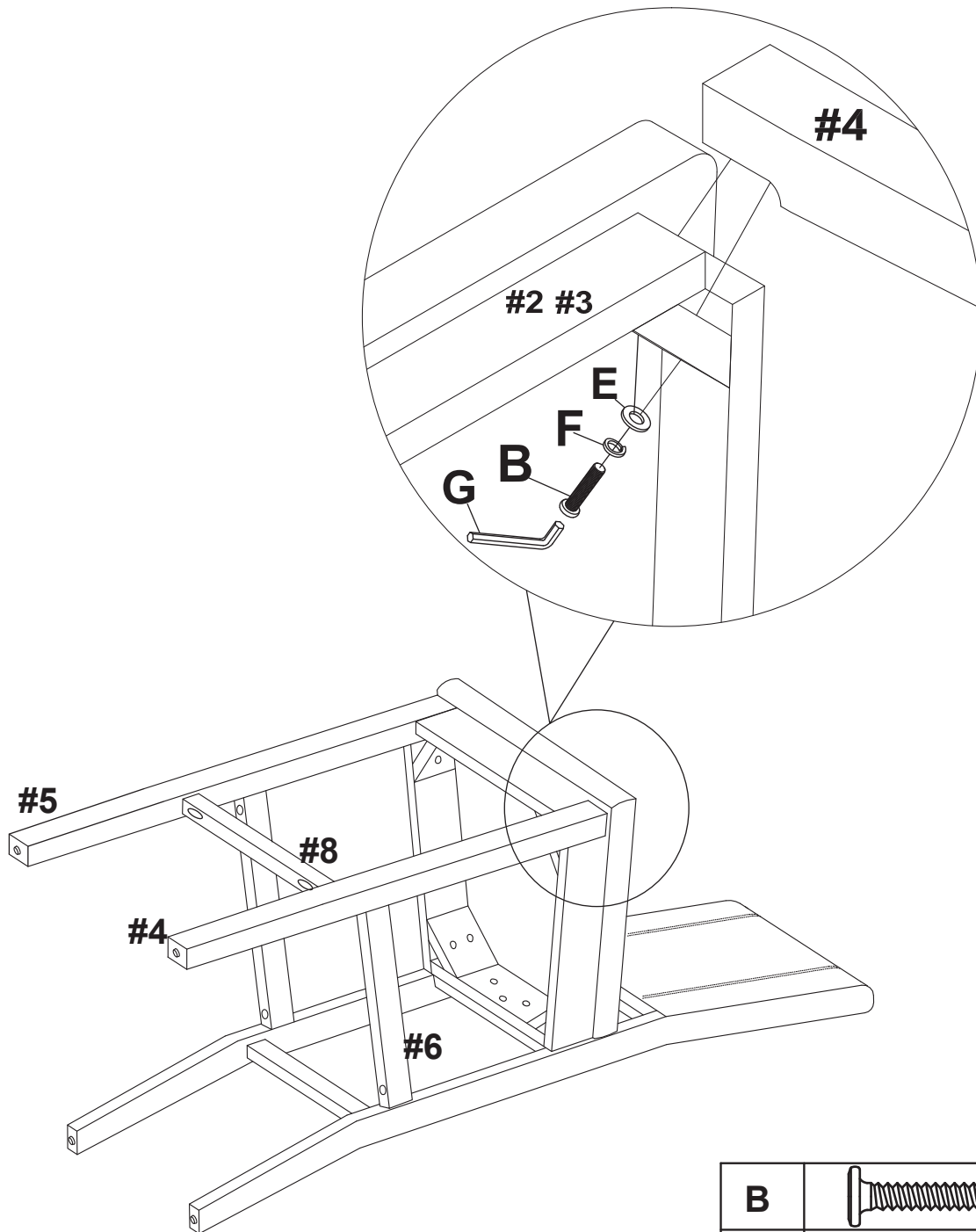
STEP 3.







B		02
E		02
F		02
G		01



STEP 4.

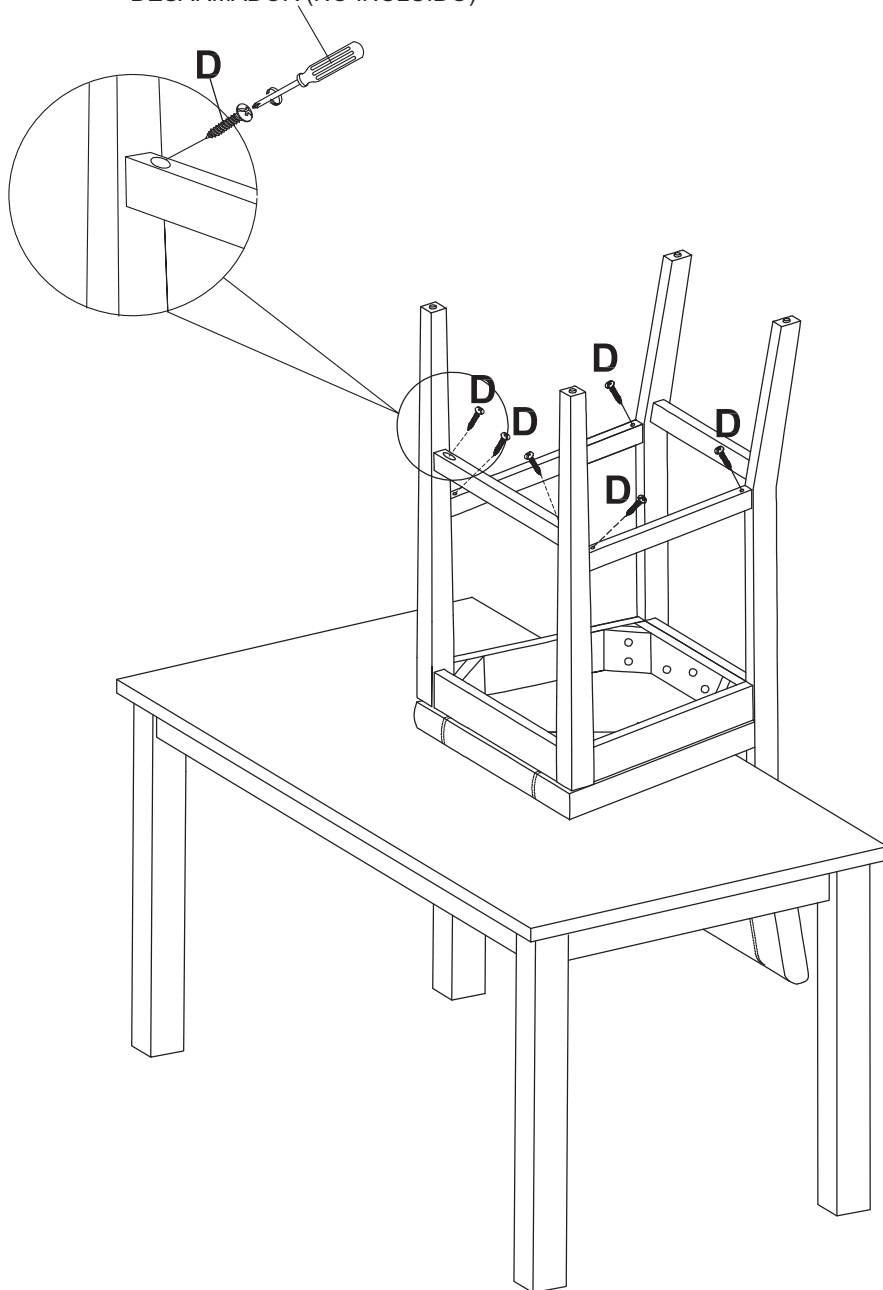


B		02
E		02
F		02
G		01



STEP 5.

SCREWDRIVER (NOT PROVIDED)
TOURNEVIS (NON FOURNI)
DESARMADOR (NO INCLUIDO)



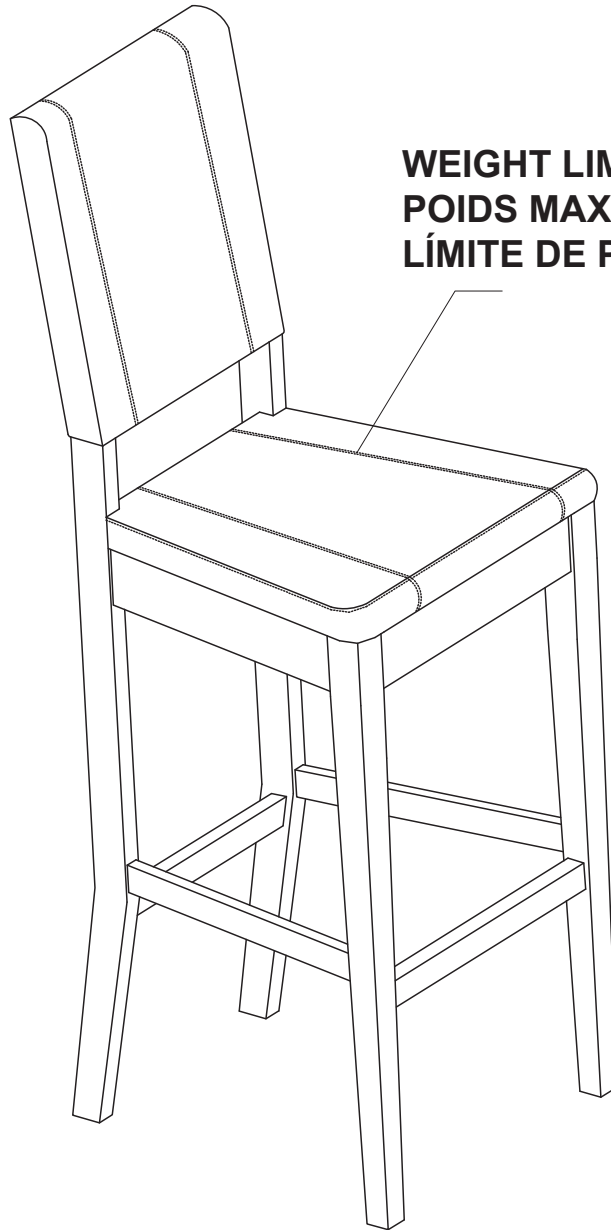
D



06



**COMPLETED ASSEMBLY
ASSEMBLAGE TERMINÉ
ENSAMBLAJE COMPLETADO**



**WEIGHT LIMIT 275 LBS
POIDS MAXIMAL : 275 LB
LÍMITE DE PESO: 275 LBS**

