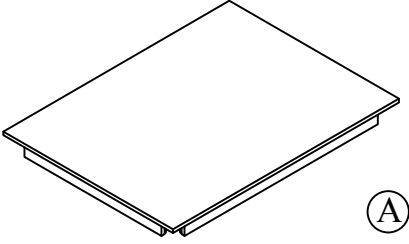
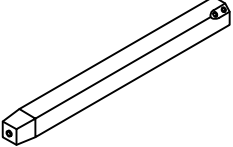
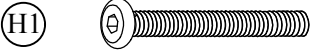





ASSEMBLY INSTRUCTIONS
ITEM # : 60581-59-01 KONA DINING TABLE WHITE

60581-59-01 PARTS & HARDWARE LIST

Please assemble with the tool provided or recommended. Do not use an impact drill.

 <p>TABLE TOP x 1</p>	 <p>LEGS x 4</p>	 <p>ALLEN BOLT x 8 (Ø5/16" *60mm)</p>
 <p>SPRING WASHER x 8 (Ø5/16")</p>	 <p>FLAT WASHER x 8 (Ø5/16")</p>	 <p>ALLEN KEY x 1 (M4)</p>

Customer Service Contact Information:

Toll Free Phone Number: 1-844-771-2727

Email: consumercare@lanefurniture.com

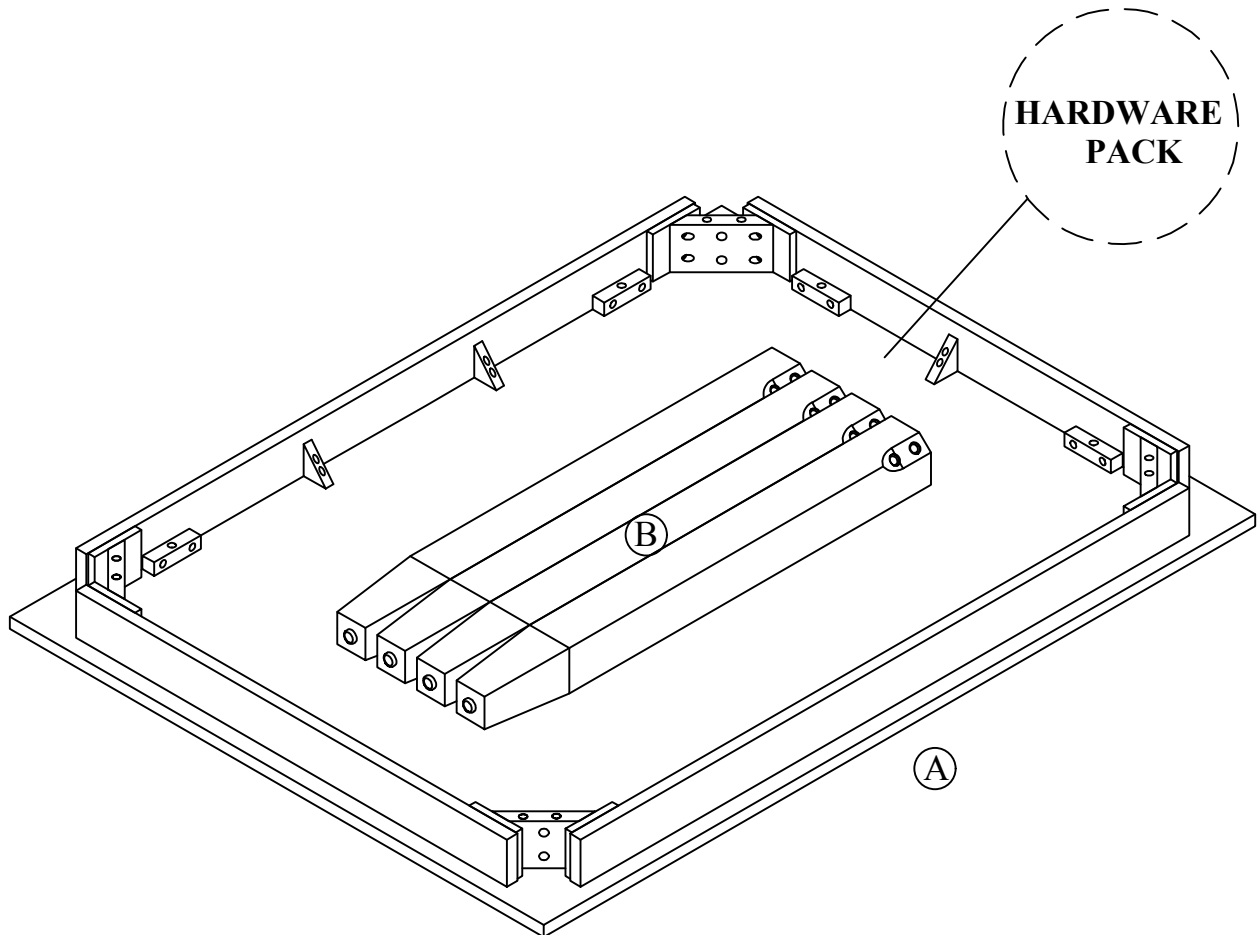
Website: www.lanefurniture.com

NOTES :

1. CHECK CAREFULLY FOR SMALL PARTS WHICH MAY COME LOOSE DURING SHIPMENT.
2. REMOVE ALL COMPONENTS FROM THE PACK AND PLACE ON A CLEAN, SOFT SURFACE TO ASSEMBLE.
3. UNITS SHOULD BE ASSEMBLED BY TWO OR MORE PEOPLE.
4. DO NOT OVER - TIGHTEN SCREW/ BOLTS UNTIL ASSEMBLY IS COMPLETED.
5. WITH USE, SCREW/ BOLT MAY BE COME LOOSE & MUST BE TIGHTENED PERIODICALLY.



HARDWARE BLISTER PACKS ARE STORED ON THE TOP OF THE TABLE BASE



Customer Service Contact Information:

Toll Free Phone Number: 1-844-771-2727

Email: consumercare@lanefurniture.com

Website: www.lanefurniture.com

NOTES :

1. CHECK CAREFULLY FOR SMALL PARTS WHICH MAY COME LOOSE DURING SHIPMENT.
2. REMOVE ALL COMPONENTS FROM THE PACK AND PLACE ON A CLEAN, SOFT SURFACE TO ASSEMBLE.
3. UNITS SHOULD BE ASSEMBLED BY TWO OR MORE PEOPLE.
4. DO NOT OVER - TIGHTEN SCREW/ BOLTS UNTIL ASSEMBLY IS COMPLETED.
5. WITH USE, SCREW/ BOLT MAY BE COME LOOSE & MUST BE TIGHTENED PERIODICALLY.



STEP 1 (x1)

Do not over-tighten the bolts.
Make sure you use the lock
washers to ensure the bolts
stay fastened.

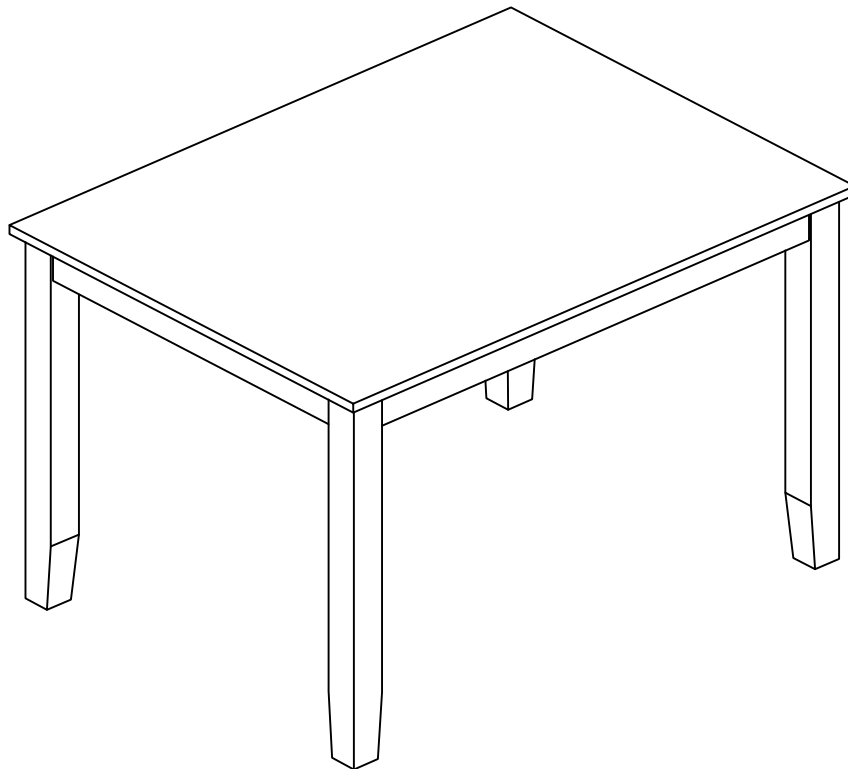
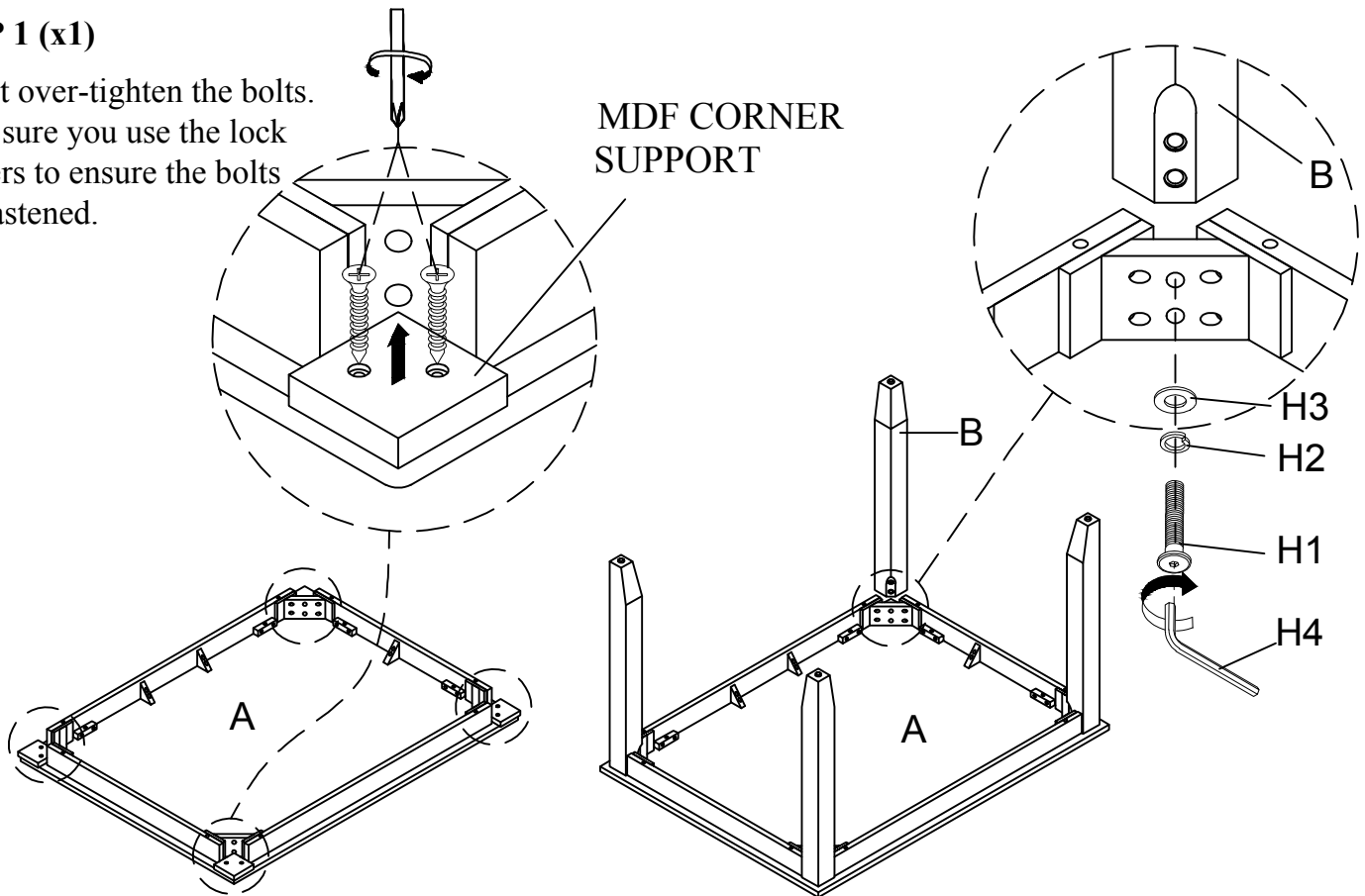
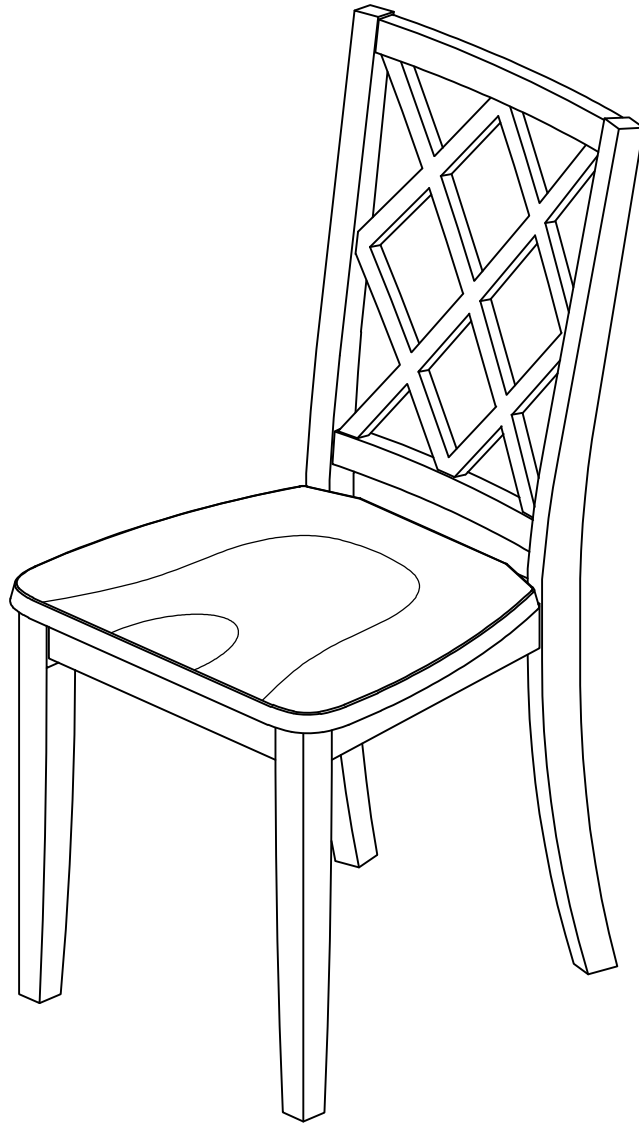


TABLE ASSEMBLY COMPLETED

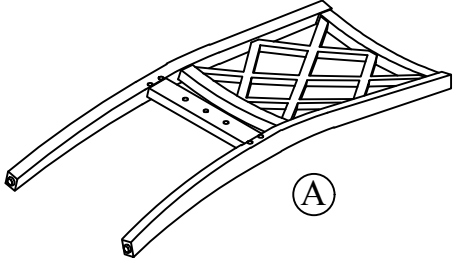
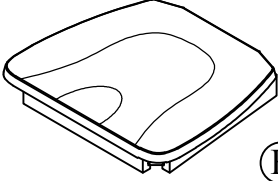
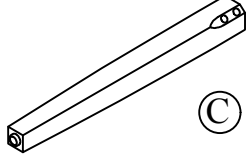

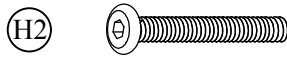
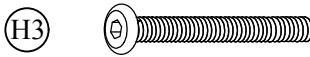





ASSEMBLY INSTRUCTIONS

- ITEM # : 60581-69-01 KONA DINING CHAIR WHITE 1/CTN**
- ITEM # : 60581-69-03 KONA DINING CHAIR GRYSTNE 1/CTN**
- ITEM # : 60581-69-05 KONA DINING CHAIR GRPHITE 1/CTN**
- ITEM # : 60581-69-06 KONA DINING CHAIR MINT 1/CTN**

60581-69 PARTS & HARDWARE LIST

Please assemble with the tool provided or recommended. Do not use an impact drill.

 <p>CHAIR BACK x 1</p>	 <p>SEAT x 1</p>	 <p>FRONT LEG x 2</p>
 <p>SHORT BOLT x 2 (Ø5/16" *38mm)</p>	 <p>MEDIUM BOLT x 4 (Ø5/16" *50mm)</p>	 <p>LONG BOLT x 4 (Ø5/16" *75mm)</p>
 <p>SPRING WASHER x 10 (Ø5/16")</p>	 <p>FLAT WASHER x 10 (Ø5/16")</p>	 <p>ALLEN KEY x 1 (M4)</p>

Customer Service Contact Information:

Toll Free Phone Number: 1-844-771-2727

Email: consumercare@lanefurniture.com

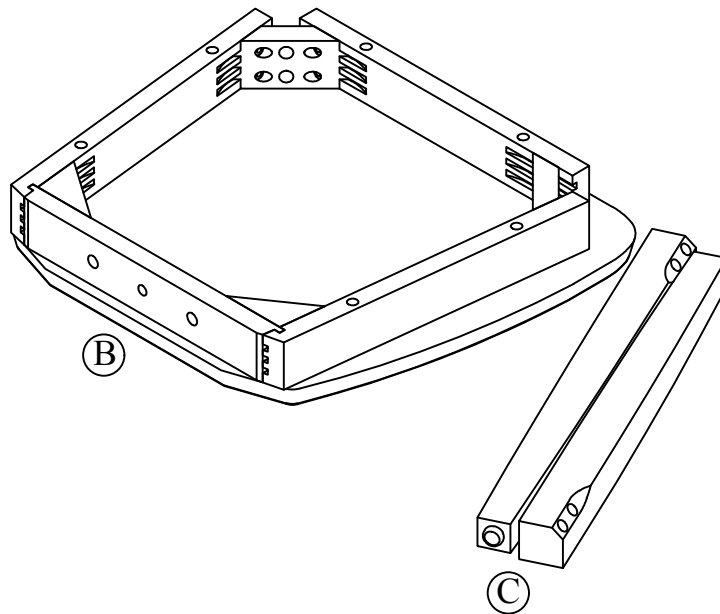
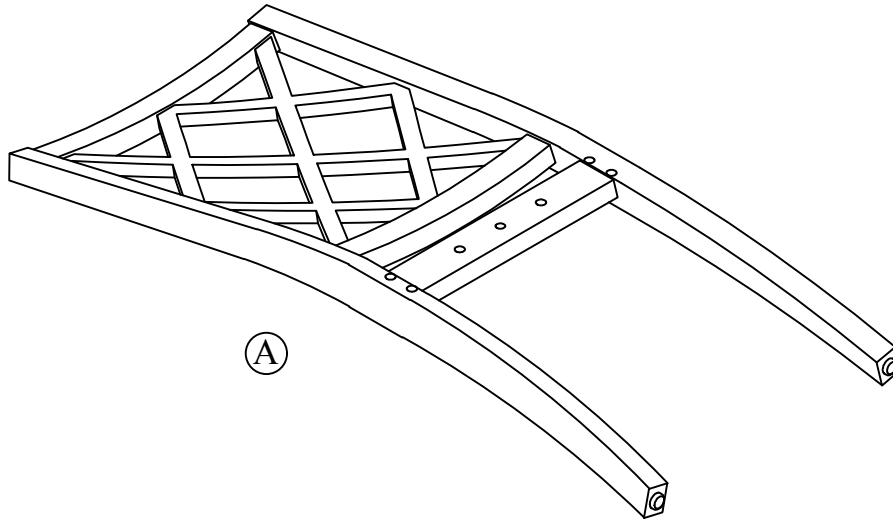
Website: www.lanefurniture.com

NOTES :

- CHECK CAREFULLY FOR SMALL PARTS WHICH MAY COME LOOSE DURING SHIPMENT.
- REMOVE ALL COMPONENTS FROM THE PACK AND PLACE ON A CLEAN, SOFT SURFACE TO ASSEMBLE.
- UNITS SHOULD BE ASSEMBLED BY TWO OR MORE PEOPLE.
- DO NOT OVER - TIGHTEN SCREW/ BOLTS UNTIL ASSEMBLY IS COMPLETED.
- WITH USE, SCREW/ BOLT MAY BE COME LOOSE & MUST BE TIGHTENED PERIODICALLY.

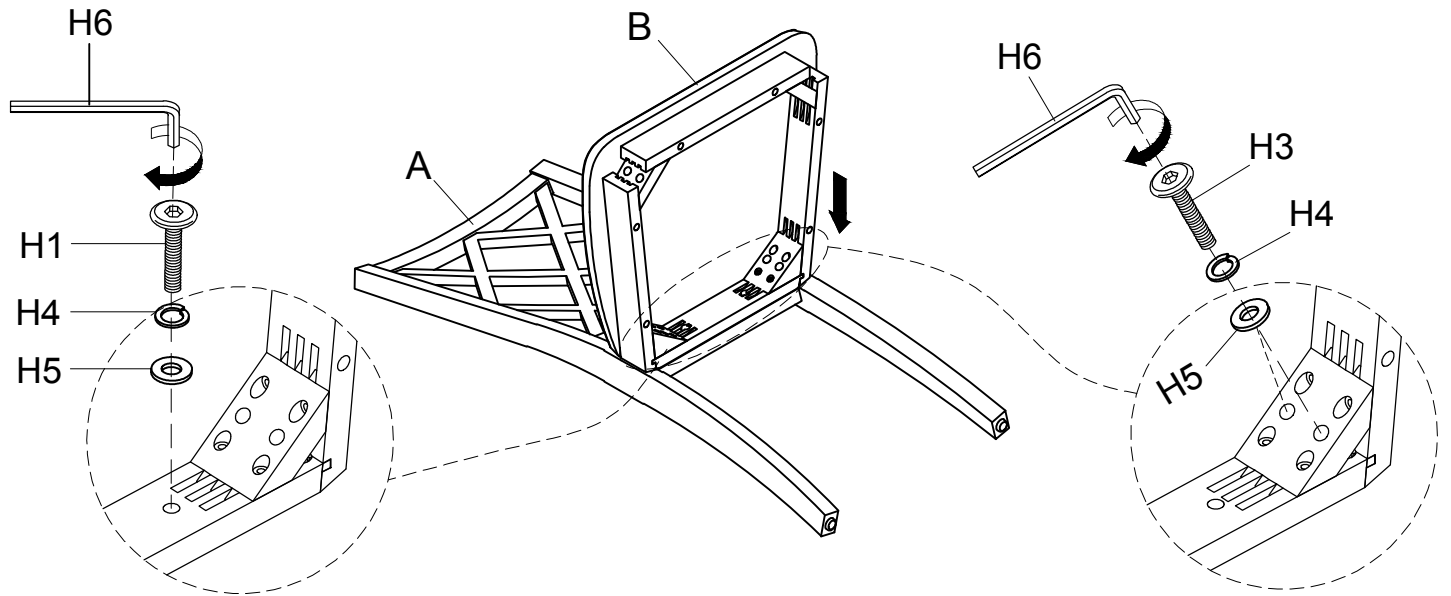


HARDWARE BLISTER PACK IS STORED ON THE TOP OF THE CHAIR BACK.

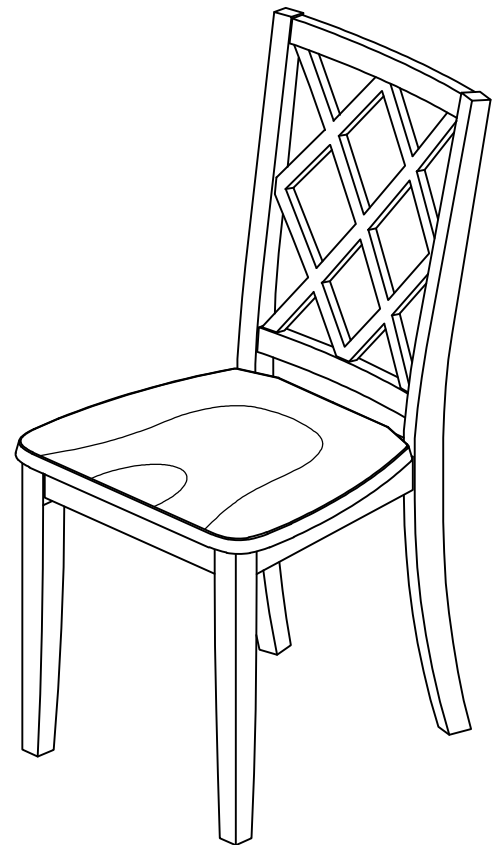
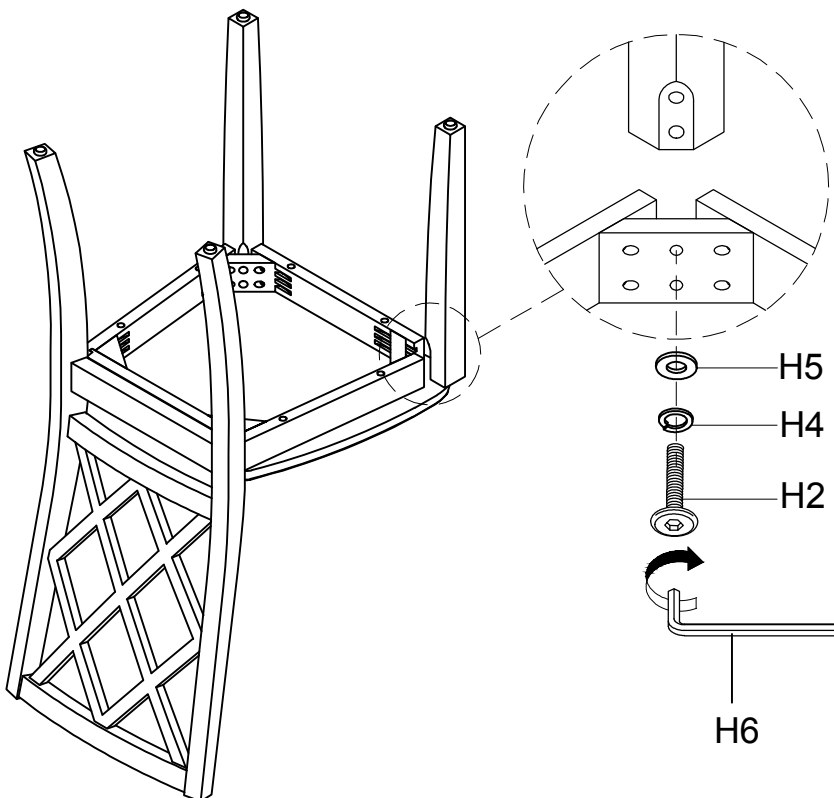


STEP 1 (x1)

Do not over-tighten the bolts. Make sure you use the lock washers to ensure the bolts stay fastened.



STEP 2 (x1)



CHAIR ASSEMBLY COMPLETED