






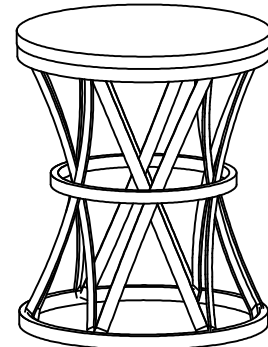


# ASSEMBLY INSTRUCTIONS

## 7327-40/7328-40 Barrel Table Part List

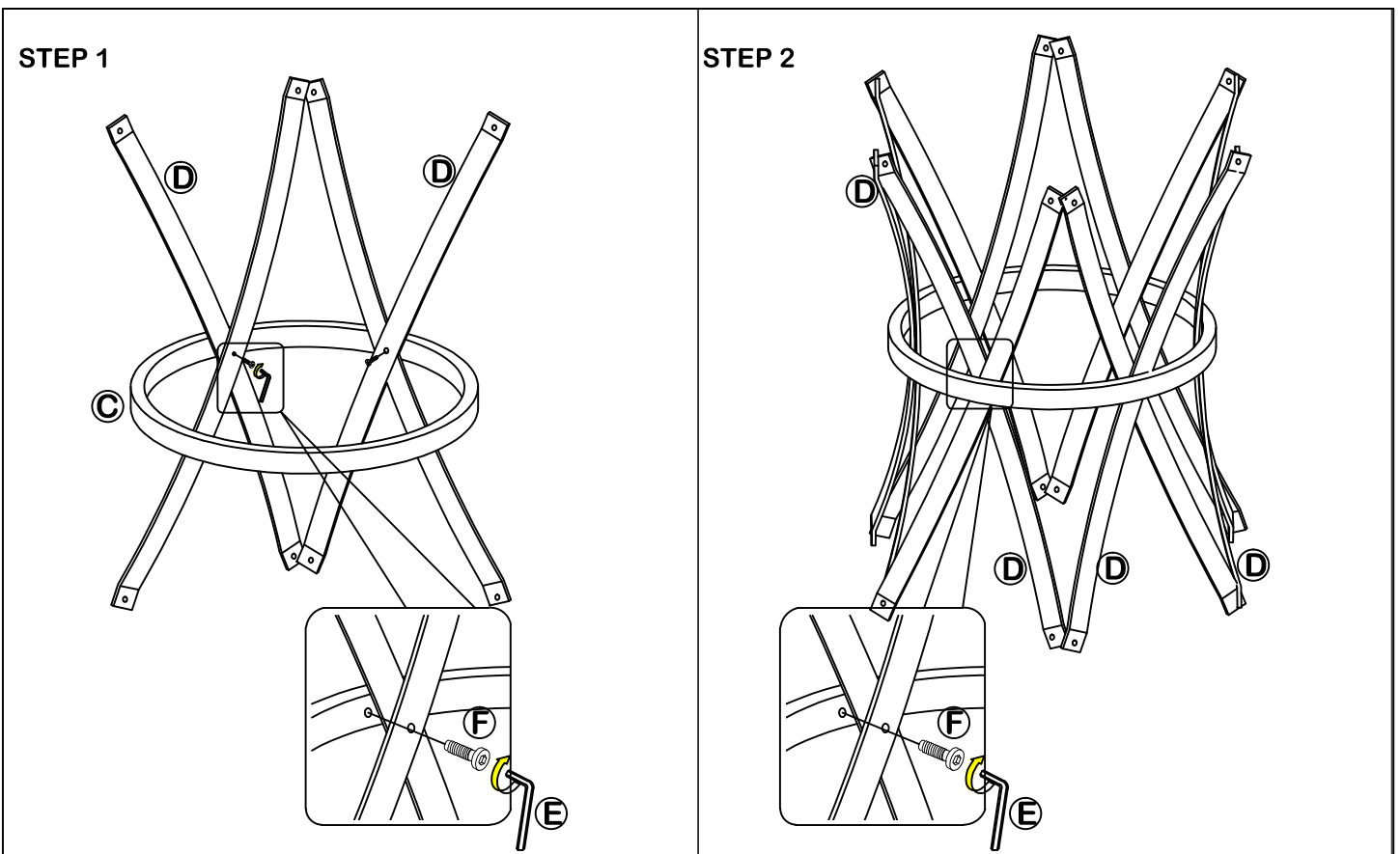
PART	DRAWING	DESCRIPTION	QTY	PART	DRAWING	DESCRIPTION	QTY
A		Table TOP	1	E		Allen Key (M4)	1
B		Table Base	1	F		Bolt 1/4*12mm	18
C		Connecting Frame	1	J		Leveler (pre-assembled)	4
D		Connecting rod	6				



Barrel Table  
Assembled

**NOTED:** If needed, only part I-K are available for replacement.

**IMPORTANT:** Do not fully tighten the bolts. Tighten all the bolts only on a level surface



United Wood Products, Inc. Customer Service Contact Information:

Toll Free Phone Number: 1-844-771-2727

Email: [consumercare@ufurniture.com](mailto:consumercare@ufurniture.com)

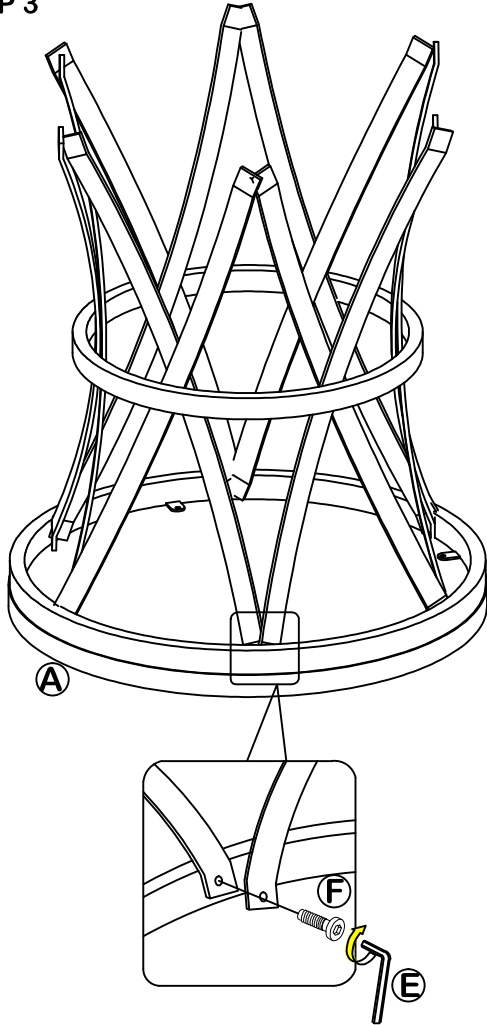
Website: [www.lanefurniture.com](http://www.lanefurniture.com)

PLEASE NOTE: With use, screw may become loose & must be tightened periodically.

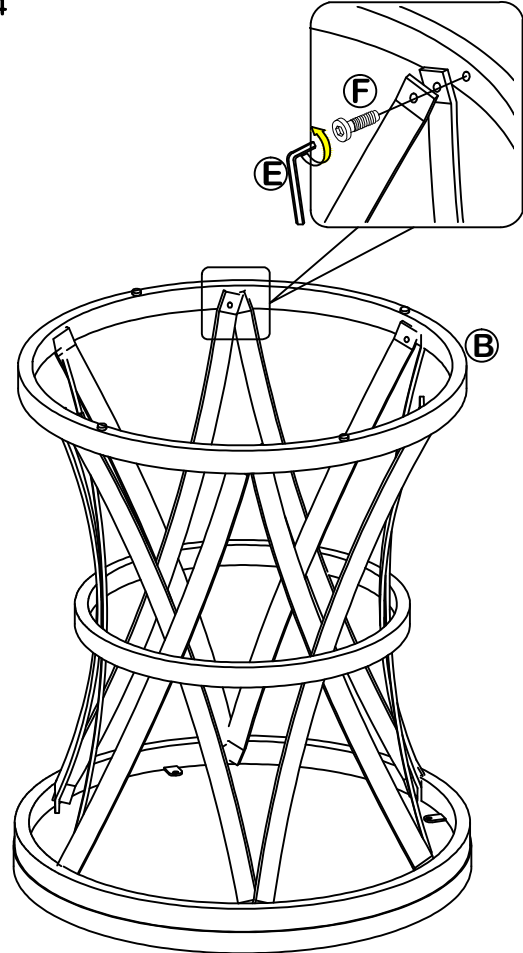
MADE IN CHINA

# ASSEMBLY INSTRUCTIONS

STEP 3



STEP 4



United Wood Products, Inc. Customer Service Contact Information:

Toll Free Phone Number: 1-844-771-2727

Email: [consumercare@ufifurniture.com](mailto:consumercare@ufifurniture.com)

Website: [www.lanefurniture.com](http://www.lanefurniture.com)

PLEASE NOTE: With use, screw may become loose & must be tightened periodically.

MADE IN CHINA